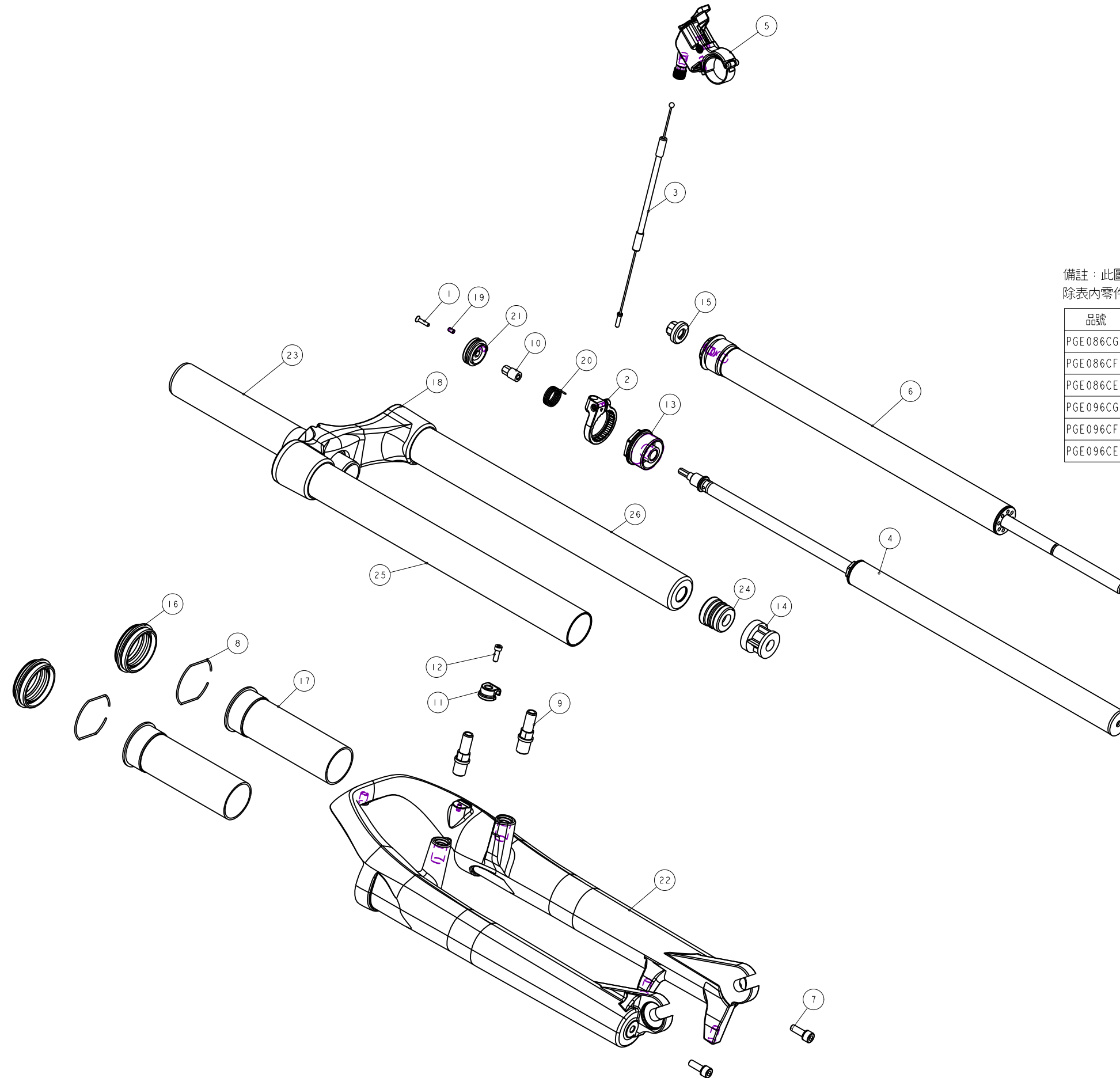


機械加工尺寸一般容許公差					REV.	DATE	DESCRIPTION	CHANGER	CHECK
尺寸	長度	尺寸	孔徑	軸徑					
1 <= 10	±0.2	1 <= 10	+0.2 -0.2	+0.2 -0.2					
10.001 <= 100	±0.3	10.001 <= 100	+0.3 -0.3	+0.3 -0.3					
100.001 <= 250	±0.5	100.001 <= 250	+0.5 -0.5	+0.5 -0.5					
250.001 <= 500	±0.8	250.001 <= 500	+1.0 -1.0	+1.0 -1.0					
500 <	±1.3	500 <	+1.5 -1.5	+1.5 -1.5					

備註：此圖面共用於14'AERIAL 30 RL(80/100/120)系列
除表內零件需替代外，其餘零組件為共用

品號	外管替換料件	TNL 鎖死棒	煞車軸	氣壓棒	差異性
PGE086CG-	M5GFRC11-0000	H5GDPCBK14	M5FKD-2723-000	H5GDPCDC120	有軸 行程120
PGE086CF-		H5GDPCBK10	M5FKD-2723-000	H5GDPCDC100	有軸 行程100
PGE086CE-		H5GDPCBK10	M5FKD-2723-000	H5GDPCDC080	有軸 行程80
PGE096CG-	M5GFRC11-1000	H5GDPCBK14	不使用	H5GDPCDC120	無軸 行程120
PGE096CF-		H5GDPCBK10	不使用	H5GDPCDC100	無軸 行程100
PGE096CE-		H5GDPCBK10	不使用	H5GDPCDC080	無軸 行程80



26	M5GSTAD1310B000	PART	內管	Stanchion	1	Φ30X320L
25	M5GSTAD0310B000	PART	內管	Stanchion	1	Φ30X320L
24	M5GSPB-401	PART	緩衝墊	Top-Out Bumper	1	Φ24X20LX40mm
23	M5GRBA260	ASSEMBLY	轉向管	Steerer	1	
22	M5GFRC11-0000	PART	OMEGA 有軸外管	Casting	1	P130 Φ32
21	M5GDPAK03	PART	總控旋轉器	Turn Base	1	8h
20	M5GDP7ARL-020	PART	鎖簧	Corkscrew Coil Spring	1	20h
19	M5GDP7ARL-013	PART	止付螺絲	Grub screw	1	M3X5L
18	M5GCR0-FCGA2000	PART	130壓縮彈簧(拋光黑)	Crown	1	P130
17	M5GBHEDB1-1	PART	長型彈簧墊	Bush	2	120
16	M5GBH8CDC2	ASSEMBLY	油封	oil seal	2	Φ30內徑
15	M5GAE9DA183	PART	氣壓蓋	Air Cap	1	TBD
14	M5GAE8JB027	PART	外管徑	Bottom-out spacer	1	20(18)L
13	M5GAE0DA275	PART	DT固定座(DA, TNL共用)	DT anchorage	1	M27.5x1.0
12	M5GAC9-1004	PART	圓筒內六角螺絲	HEX Bolts	1	M3X0.5X10L
11	M5GAC8-0731	PART	鎖式固定夾	Wire Clip	1	For M3x0.5
10	M5GAC8-0404	PART	導套	Switch Stand	1	14.8L
9	M5FKD-2723-000	PART	煞車軸	pivot	2	M10X1.25
8	M5FHJ-2Y70-100	PART	C型彈簧	CTW	2	Φ41.9xΦ3x36
7	M5FA2-2Y12-100	PART	圓筒內六角螺絲	HEX Bolts	2	M5x0.8x15L
6	H5GDPCDC120	ASSEMBLY	氣壓棒	AIR CARTRIDGE	1	
5	H5GDPCBR1	ASSEMBLY	2012年一般線桿組	Remote control Assembly	1	
4	H5GDPCBK14	ASSEMBLY	TNL鎖死棒(120)	Travel lock-out Cartridge	1	行程120
3	H5GDPARL3-1	ASSEMBLY	12'RL煞車線外線組	Remote Outline Assembly	1	
2	H5GDP8ARL6	ASSEMBLY	08'RL扣環組(高級)	Remote Outline Base	1	
1	1022A-02512C-B	PART	六角承座螺絲(黑)	HEX BOLT	1	M2.5x0.45
NO	PART NO	TYPE	CHINESE NAME	ENGLISH NAME	QTY	NOTE

Bill of material

MATERIAL	Assembly	Q'TY	1	MODEL	14'AERIAL 30 RL(80/100/120)		
UNIT	MM	SCALE	0.600	DRAW NO	PGE086CG-	rev.	1.0
FASHING	TREAT			NAME	爆炸圖		
DESIGN	DRAWING	CHECK	CONFIG	APPE	RST		