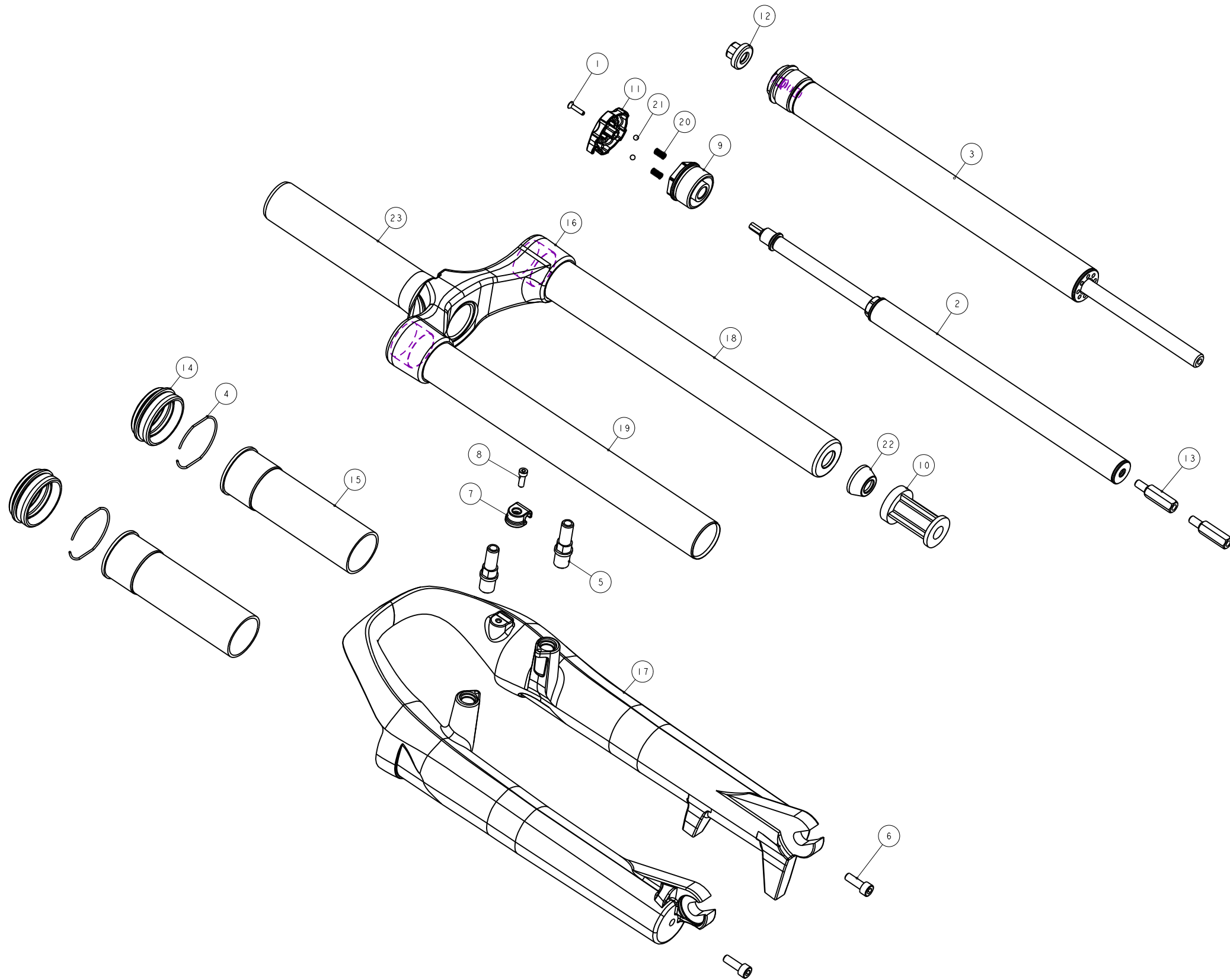


機械加工尺寸一般容許公差					REV.	DATE	DESCRIPTION	CHANGER	CHECK
尺寸	長度	尺寸	孔徑	軸徑					
1 <= 10	±0.2	1 <= 10	+0.2 -0.2	+0 -0					
10.001 <= 100	±0.3	10.001 <= 100	+0.3 -0.3	+0 -0					
100.001 <= 250	±0.5	100.001 <= 250	+0.5 -0.5	+0 -0					
250.001 <= 500	±0.8	250.001 <= 500	+1.0 -1.0	+0 -0					
500 <	±1.3	500 <	+1.5 -1.5	+0 -0					



23	MFPV-286-100	PART	轉向管	Steerer	1	±28.6
22	M5S32-2310-000	PART	緩衝墊	Top-Out Bumper	1	±21.5x±15.3x±9.5x11.1
21	M5K43-2730-000	PART	小鋼珠	Steel ball	2	φ4
20	M5K43-2351-000	PART	彈簧	Spring	2	Pitch 0.85
19	M5GSTAC1268B000	PART	開口內管 (鈦色)	Stanchion	1	268L
18	M5GSTAC0268B000	PART	縮口內管 (鈦色)	Stanchion	1	268L
17	M5GFRUD4-0000	PART	FIRST 有軸外管	RAXXON Casting	1	P130 ±32
16	M5GCRD-EBZA2000	PART	P125 壓球頭	Crown	1	P125.28.6
15	M5GBHCEB110	PART	變壓襯套	Bush	2	110L
14	M5GBHCC2	ASSEMBLY	油封	oil seal	2	∅37.6
13	M5GAE9L023	PART	螺絲接桿	Shank	2	M5X0.8
12	M5GAE9DA183	PART	氣阻蓋	Air Cap	1	T80
11	M5GAE8TZ-2	PART	鎖死旋鈕	Lock out adjust cap	1	
10	M5GAE0JB027-40	PART	外管徑	Bottom-out spacer	1	401381L
9	M5GAE0DA265	PART	DT固定座 (DA, TNL 共用)	DT anchorage	1	M26.5x1.0
8	M5GAC9-1004	PART	六角螺絲	HEX Bolts	1	M310.5X10L
7	M5GAC8-0731	PART	鎖式固定夾	Wire Clip	1	For M3x0.5
6	M5GAC6002	PART	螺絲內六角螺絲 (NYSEAL)	bolt(NYSEAL)	2	M5X0.8X15L
5	M5FKD-2723-000	PART	旋轉軸	pivot	2	M10X1.25
4	M5FHJ-2Y70-000	PART	C型扣環	RETAINING RING	2	T80
3	H5GDPDC265	ASSEMBLY	氣壓棒	AIR CARTRIDGE	1	
2	H5GDPCKB1815	ASSEMBLY	旋轉鎖死棒 (50)	Travel lock-out Cartridge	1	φ50
1	1022A-02512C-B	PART	六角螺絲 (黑)	HEX BOLT	1	M2.5x0.45
NO	PART NO	TYPE	CHINESE NAME	ENGLISH NAME	QTY	NOTE

Bill of material

MATERIAL	Assembly	Q'TY	1	MODEL	14' AERIAL24 TNL (60)
UNIT	MM	SCALE	0.700	DRAW NO	PGE107BC- rev. 1.0
FASHING	TREAT			NAME	爆炸圖
DESIGN	DRAWING	CHECK	CONFIG	APPE	RST