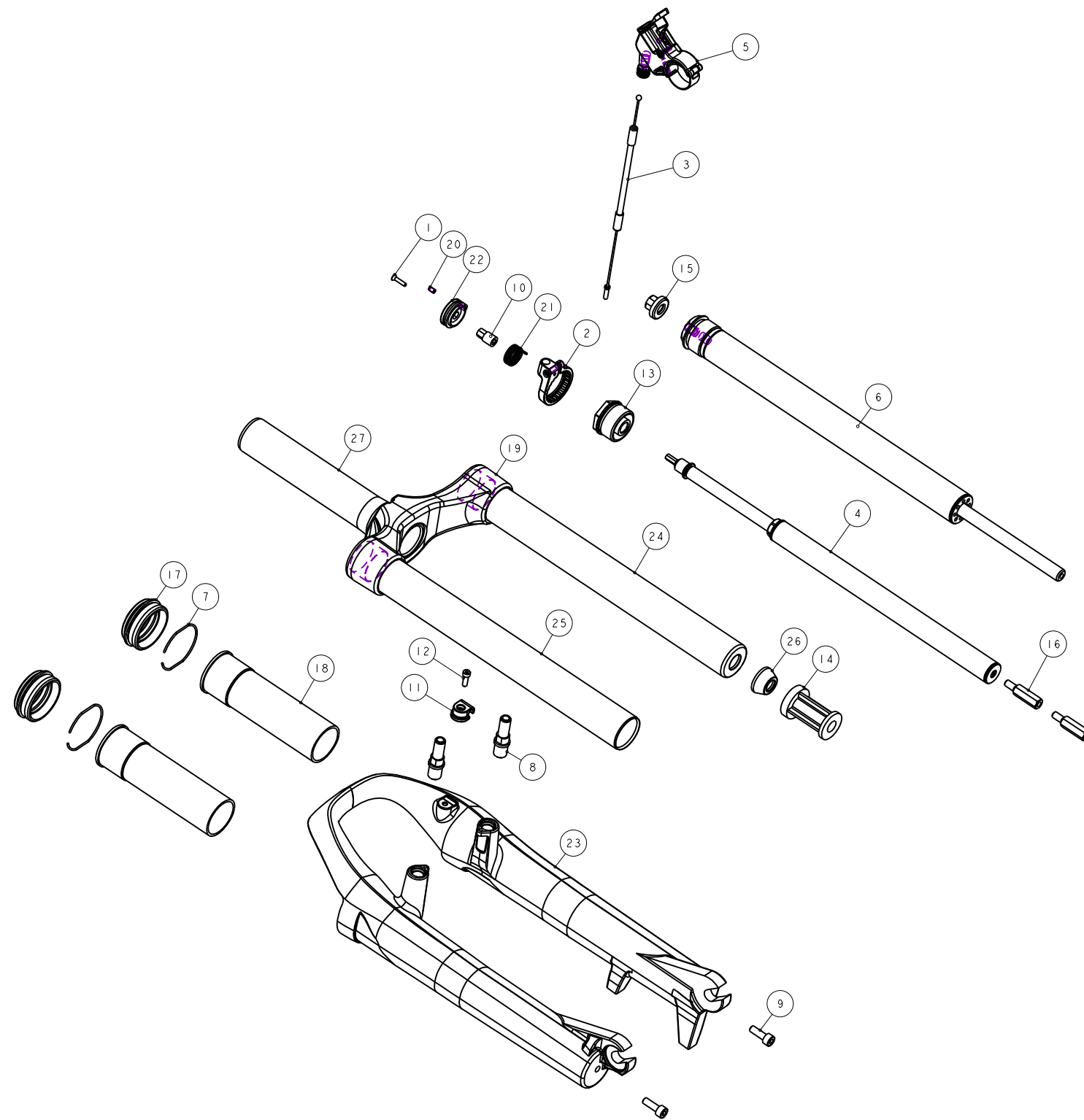


機械加工尺寸一般容許公差					REV.	DATE	DESCRIPTION	CHANGER	CHECK
尺寸	長度	尺寸	孔徑	軸徑					
1 <= 10	±0.2	1 <= 10	+0.2 0	+0.2 -0.2					
10.001 <= 100	±0.3	10.001 <= 100	+0.3 0	+0.3 -0.3					
100.001 <= 250	±0.5	100.001 <= 250	+0.5 0	+0.5 -0.5					
250.001 <= 500	±0.8	250.001 <= 500	+1.0 0	+1.0 -1.0					
500 <	±1.3	500 <	+1.5 0	+1.5 -1.5					



27	MFPV-286-100	PART	轉向管	Sleerer	1	ø28.6
26	M5S32-2310-000	PART	緩衝墊	Top-Out Bumper	1	ø21.5xø15.3xø9.5x11.
25	M5GSTAC1268B000	PART	開口內管 (鈦色)	Stanchion	1	268L
24	M5GSTACO268B000	PART	縮口內管 (鈦色)	Stanchion	1	268L
23	M5GFRUD4-0000	PART	FIRST 有軸外管	RAXXON Coasting	1	P130 ø32
22	M5GDPAK03	PART	線控旋轉鈕	Turn Base	1	8ø
21	M5GDP7ARL-020	PART	錯簧	Corkscrew Coil Spring	1	20ø
20	M5GDP7ARL-013	PART	止付螺絲	Grub screw	1	M3X5L
19	M5GCRD-EBZA2000	PART	P125壓頂	Crown	1	P125.28.6
18	M5GBHCEB110	PART	塑膠襯套	Bush	2	110L
17	M5GBHCCC2	ASSEMBLY	油封	oil seal	2	ø37.6
16	M5GAE9L023	PART	螺絲桿	Shank	2	M5X0.8
15	M5GAE9DA183	PART	氣筒蓋	Air Cap	1	TØD
14	M5GAE0JB027-40	PART	外管座	Bottom-out spacer	1	4013ØL
13	M5GAE0DA265	PART	DT固定座 (DA, TNL共用)	DT anchorage	1	M26.5x1.0
12	M5GAC9-1004	PART	螺絲內六角螺絲	HEX Bolts	1	M310.5X10L
11	M5GAC8-0731	PART	鎖式固定夾	Wire Clip	1	For M3x0.5
10	M5GAC8-0404	PART	導套	Switch Stand	1	14.8L
9	M5GAC6002	PART	螺絲內六角螺絲 (NYSEAL)	bolts(NYSEAL)	2	M5X0.8X15L
8	M5FKD-2723-000	PART	煞車軸	pivot	2	M10X1.25
7	M5FHJ-2Y70-000	PART	C型扣環	RETAINING RING	2	TØD
6	H5GDPDC265	ASSEMBLY	氣壓棒	AIR CARTRIDGE	1	
5	H5GDPBCBR1	ASSEMBLY	2012年一般操桿組	Remote control Assembly	1	
4	H5GDPBCBK1815	ASSEMBLY	旋轉鎖死棒 (50)	Travel lock-out Cartridge	1	øM50
3	H5GDPCARL3-1	ASSEMBLY	12" RL 煞車線外線組	Remote Outline Assembly	1	
2	H5GDP8ARL6	ASSEMBLY	08" RL 扣環組 (高級)	Remote Outline Base	1	
1	1022A-02512C-B	PART	六角承頂螺絲 (黑)	HEX BOLT	1	M2.5x0.45
NO	PART NO	TYPE	CHINESE NAME	ENGLISH NAME	QTY	NOTE

Bill of material

MATERIAL	Assembly	QTY	1	MODEL	14' AERIAL24 RL(60)
UNIT	MM	SCALE	0.500	DRAW NO	PGE107CC- rev. 1.0
FASHING	TREAT			NAME	爆炸圖
DESIGN	DRAWING	CHECK	CONF IG	APPE	RST