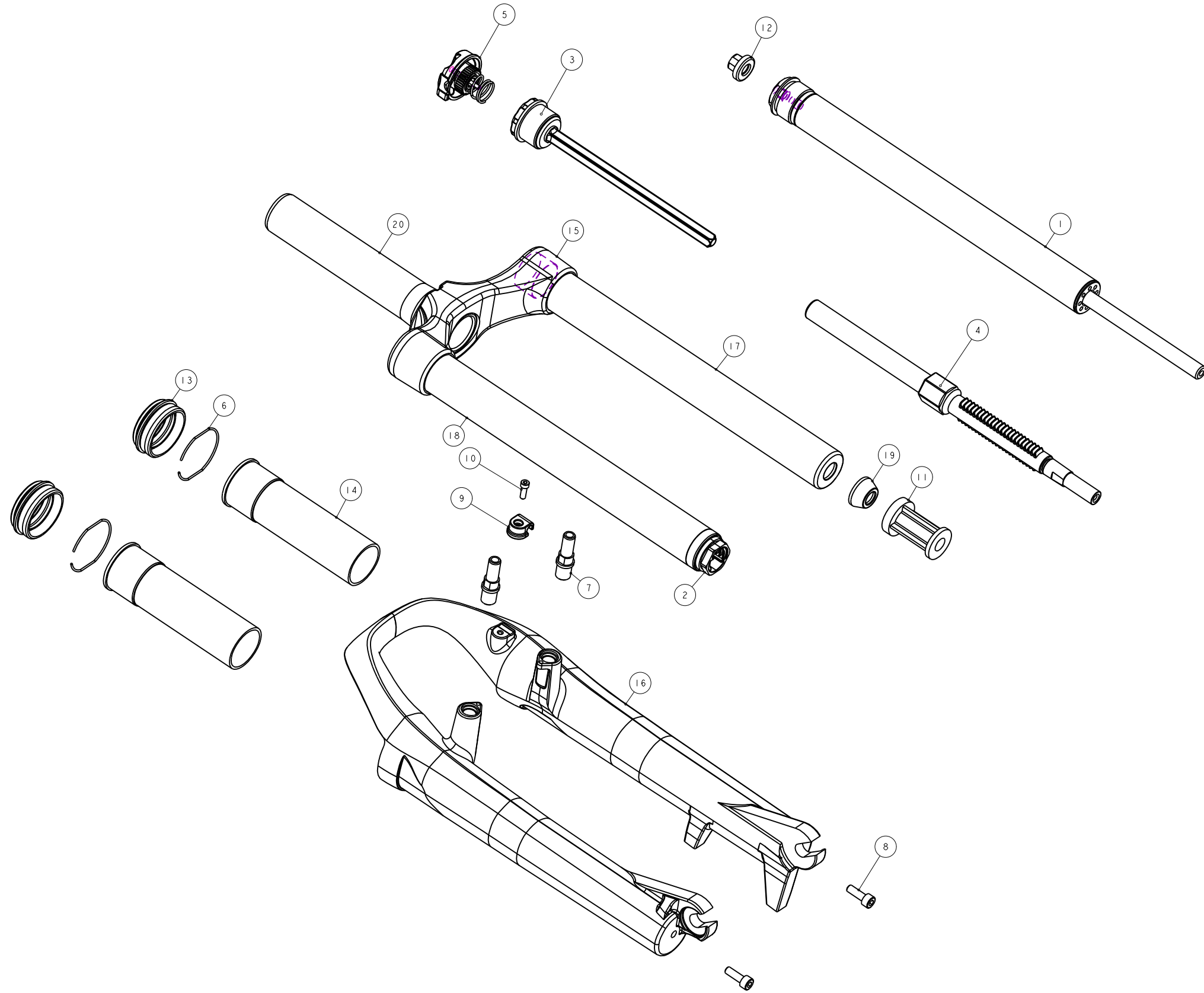


機械加工尺寸一般容許公差					REV.	DATE	DESCRIPTION	CHANGER	CHECK
尺寸	長度	尺寸	孔徑	軸徑					
1 <= 10	±0.2	1 <= 10	+0.2 -0.2	+0 -0.2					
10.001 <= 100	±0.3	10.001 <= 100	+0.3 -0.3	+0 -0.3					
100.001 <= 250	±0.5	100.001 <= 250	+0.5 -0.5	+0 -0.5					
250.001 <= 500	±0.8	250.001 <= 500	+1.0 -1.0	+1.0 -1.0					
500 <	±1.3	500 <	+1.5 -1.5	+1.5 -1.5					



20	MFPV-286-100	PART	轉向管	Steerer	1	±28.6
19	M5S32-2310-000	PART	緩衝墊	Top-Out Bumper	1	±21.5x±15.3x±9.5x11.1
18	M5GSTAC4268B000	PART	內管(鈦色)	Stanchion	1	260L
17	M5GSTAC0268B000	PART	縮口內管(鈦色)	Stanchion	1	260L
16	M5GFRUD4-0000	PART	FIRST 有軸管	RAXXON Casting	1	P130 ±32
15	M5GCRD-EBZA2000	PART	P125 螺絲頭	Crown	1	P125,28.6
14	M5GBHCEB110	PART	變壓器	Bush	2	110L
13	M5GBHCCC2	ASSEMBLY	油封	oil seal	2	∅31.6
12	M5GAE9DA183	PART	氣壓蓋	Air Cap	1	T80
11	M5GAE0JB027-40	PART	外管座	Bottom-out spacer	1	401.381L
10	M5GAC9-1004	PART	圓筒六角螺絲	HEX Bolts	1	M310.5X10L
9	M5GAC8-0731	PART	線式固定夾	Wire Clip	1	for M3x0.5
8	M5GAC6002	PART	圓筒六角螺絲(NYSEAL)	bolt(NYSEAL)	2	M510.8X15L
7	M5FKD-2723-000	PART	螺絲軸	pivot	2	M10X1.25
6	M5FHJ-2Y70-000	PART	C型環	RETAINING RING	2	T80
5	H5GMLC-007-286	ASSEMBLY	螺絲帽	Cap Assembly	1	
4	H5GML-005-42	ASSEMBLY	齒輪組(含外管座)	Hypoid Assembly	1	
3	H5GML-004-8	ASSEMBLY	調整螺絲(∅26.5), L163.2	Fixed Guide Assembly	1	
2	H5GML-003-8	ASSEMBLY	28.6內管鎖下座(雙環)	Lock-Out Spacer	1	
1	H5GDPDC265	ASSEMBLY	氣壓桿	AIR CARTRIDGE	1	
NO	PART NO	TYPE	CHINESE NAME	ENGLISH NAME	QTY	NOTE

Bill of material

MATERIAL	Assembly	Q'TY	1	MODEL	14" AERIAL24 ML(60)
UNIT	MM	SCALE	0.700	DRAW NO	PGE107DC- rev. 1.0
FASHING	TREAT			NAME	爆炸圖
DESIGN	DRAWING	CHECK	CONFIG	APPE	RST