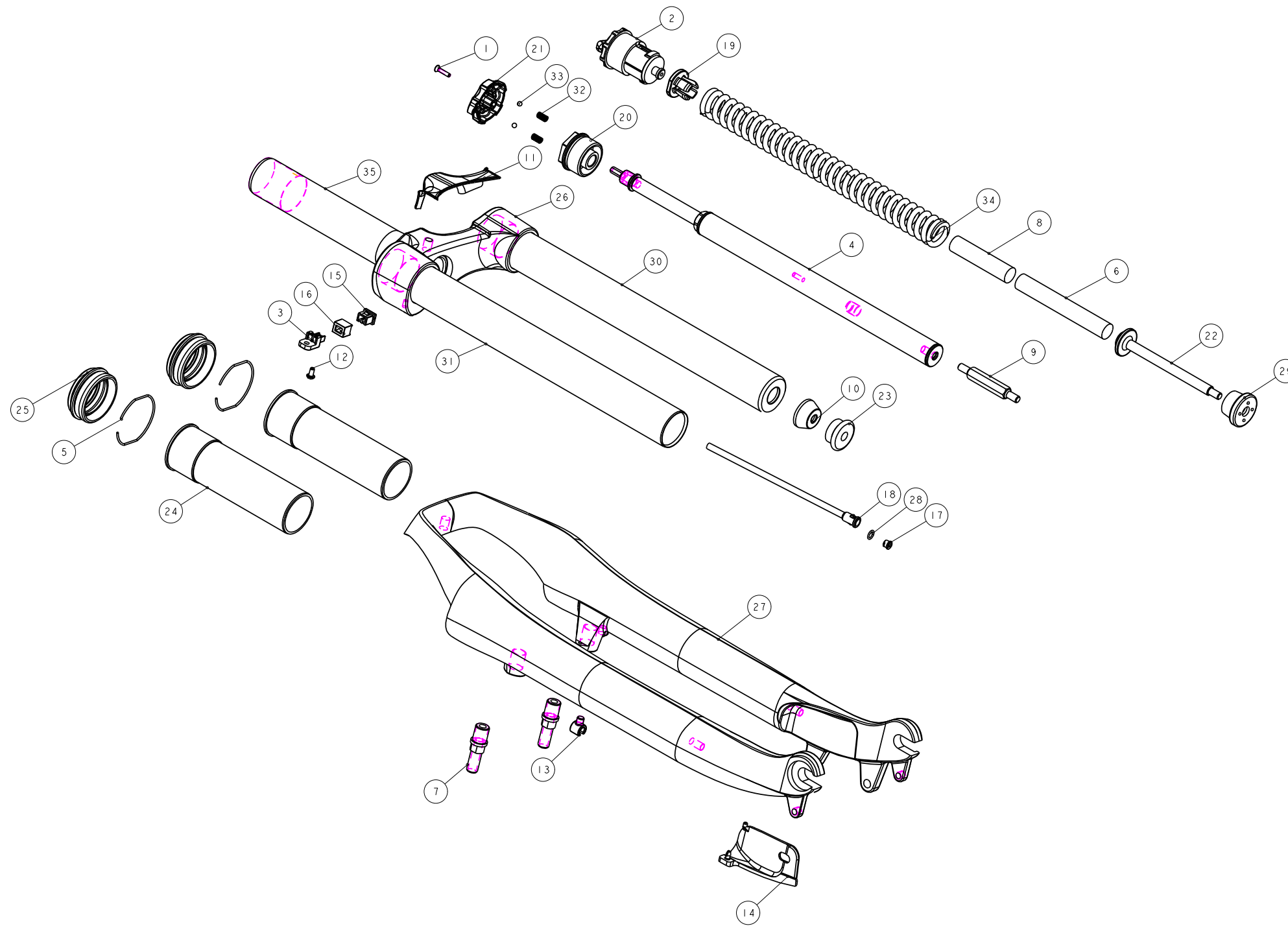


機械加工尺寸一般容許公差					REV.	DATE	DESCRIPTION	CHANGER	CHECK
尺寸	長寬高	尺寸	孔徑	軸徑	170c	111	M5GAC01108->M5GAC81108	蕭鈺耀	
1 <= 10	±0.2	1 <= 10	+0.2 -0.2	+0 -0.2					
10.001 <= 100	±0.3	10.001 <= 100	+0.3 -0.3	+0 -0.3					
100.001 <= 250	±0.5	100.001 <= 250	+0.5 -0.5	+0 -0.5					
250.001 <= 500	±0.8	250.001 <= 500	+1.0 -1.0	+0 -1.0					
500 <	±1.3	500 <	+1.5 -1.5	+0 -1.5					



項目	成品品號	外管	規格說明
1	PGC717BB	M5GFRDC2-0000	有軸·行程50mm·總高460mm
2	PGC718BB	M5GFRDC2-1000	無軸·行程50mm·總高460mm

35	MFPV-286-100	PART	轉向管	Sleerer	1	φ28.6
34	MF2350-220-145	PART	彈簧	Spring	1	220L
33	M5K43-2730-000	PART	小鋼珠	Steel ball	2	φ4
32	M5K43-2351-000	PART	彈簧	Spring	2	Pitch 0.85
31	M5GSTAC1268B000	PART	開口內管 (鈹色)	Slonchion	1	268L
30	M5GSTAC0268B000	PART	縮口內管 (鈹色)	Slonchion	1	268L
29	M5GSPB-415-8	PART	緩衝墊	Top-Out Bumper	1	15L
28	M5GORC-100-0500	PART	O型環		1	
27	M5GFRDC2-0000	PART	外管		1	pitch112
26	M5GCRC-DBGA2000	PART	112壓球帽 (拋光黑)	Crown	1	P112,28.6
25	M5GBHCC2	ASSEMBLY	油封	oil seal	2	φ37.6
24	M5GBH9ACB1	PART	NEON-PRO塑膠端蓋	Bush	2	110L
23	M5GAEMB10	PART	外管座	Bottom-out spacer	1	10L
22	M5GAEC090	PART	壓力膠下座 (外牙)	Compression Rod	1	90L
21	M5GAEOTZ-3	PART	鎖死螺絲	Lock out adjust cap	1	
20	M5GAEODA265	PART	DT固定座 (DA, TNL共用)	DT anchorage	1	M26.5x1.0
19	M5GAE-0PB021	PART	彈簧座	Spring Guide	1	
18	M5GACC1223-01	PART	管底固定座		1	
17	M5GACC0106-01	PART	管底軟塞		1	
16	M5GACB1221-02	PART	接頭外蓋	Attachment outer cover	1	
15	M5GACB1221-01	PART	接頭	Attachment	1	
14	M5GACB1215-01	PART	外管外蓋	Outer tube outer cover	1	pitch112
13	M5GACB1215	PART	導線螺絲		1	
12	M5GAC81108	PART	導線螺絲	bolt	1	M3X0.5
11	M5GAC0-1028	PART	ICS螺架片	ICS.Cap	1	
10	M5FWO-2310-000	PART	緩衝墊	Top-Out Bumper	1	10L
9	M5FUE-2Y14-035	PART	螺絲接桿	Shank	1	2-M5X0.8
8	M5FQ9-2310-000	PART	定距橡皮	Top-Out Bumper	1	φ12X52L Hs40H
7	M5FKD-2723-000	PART	點車軸	pinrol	2	M10X1.25
6	M5FKA-2311-000	PART	定距橡皮	Top-Out Bumper	1	φ12X82L Hs40H
5	M5FHJ-2Y70-000	PART	C型扣環	RETAINING RING	2	TBD
4	H5GDPCBK1815	ASSEMBLY	旋轉鎖死棒 (50)	Travel lock-out Cartridge	1	φ50
3	H5GACB1221-03	ASSEMBLY	端子	Post	1	
2	H5FNM-2163-100	ASSEMBLY	調整座組 2006	Adjuster Assembly	1	M26.5X1.0
1	1022A-02512C-B	PART	六角承攔螺絲 (黑)	HEX BOLT	1	M2.5x0.45
NO	PART NO	TYPE	CHINESE NAME	ENGLISH NAME	QTY	NOTE

Bill of material						
MATERIAL	Assembly	QTY	1	MODEL	12' VERSO3 TNL	
UNIT	MM	SCALE	0.600	DRAW NO	PGC717BB	rev. 1.1
FASHING		TREAT		NAME	爆炸圖	
DESIGN	DRAWING	CHECK	CONFIG	APPE	RST	