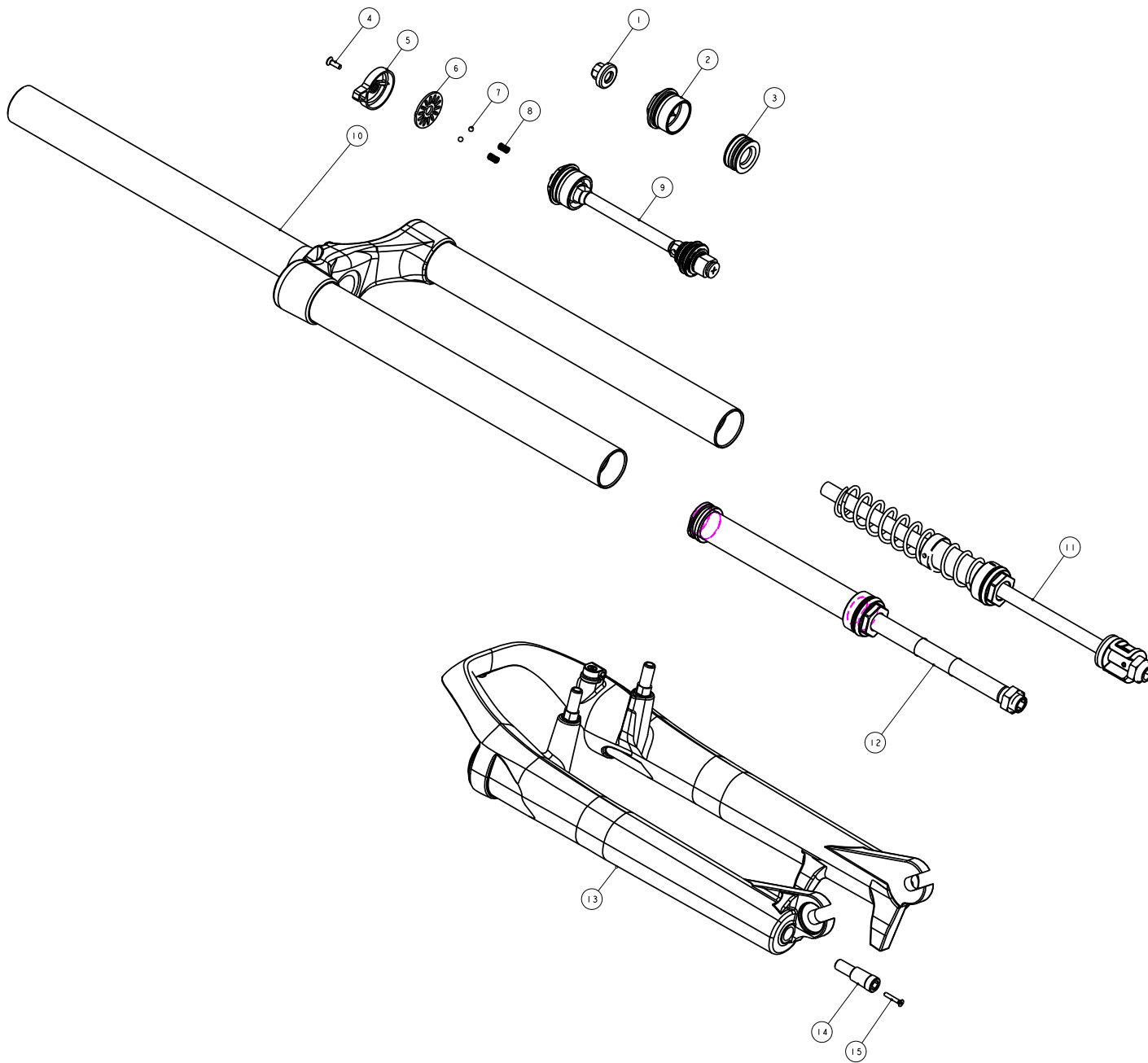


機械加工尺寸一般公差					REV.	DATE	DESCRIPTION	CHANGER	CHECK
尺寸	公差	尺寸	公差	公差					
1 < 10	±0.2	1 < 10	±0.2	±0.2					
10.00 < 100	±0.3	10.00 < 100	±0.3	±0.3					
100.00 < 250	±0.5	100.00 < 250	±0.5	±0.5					
250.00 < 500	±0.8	250.00 < 500	±0.8	±0.8					
500 <	±1.3	500 <	±1.3	±1.3					



NO.	PART NO.	ENGLISH NAME	QTY
1	M5GAE9DA183	Air Cap	1
2	H5GAE9DA233	Fix Guide	1
3	H5GAE9FA248	Air Piston	1
4	M5R22-2Y11-100	Compression Knob Screw	1
5	M5GAE9CS27	Compression Knob	1
6	M5GAE9CS27	Dial	1
7	M5K43-2730-000	Detent Ball	2
8	M5K43-2351-000	Detent Spring	2
9	H5GDP9AK30B-1	Lockout Assembly	1
10	H5GRC015WF1	Crown Assembly	1
11-1	H5GAE9BH80	Lower Spring Seat Assembly (For 80mm Travel)	1
11-2	H5GAE9BH100	Lower Spring Seat Assembly (For 100mm Travel)	1
12	H5GDP9AD265	Rebound Assembly	1
13-1	H5GFRU11-0200	Outer Leg Assembly (W/ Pivot Boss)	1
13-2	H5GFRU11-1200	Outer Leg Assembly (W/O Pivot Boss)	1
14	M5GAE9AZ034-1	Rebound Knob	1
15	I022A-02515	Rebound Knob Screw	1

MATERIAL	Assembly	QTY	1	MODEL	13' FIRST 30 PLATINUM (80/100)
UNIT	MM	SCALE	0.700	DRAW NO	PGD0150F- rev. 1.0
FASHING	TREAT			NAME	PARTSLIST
DESIGN	DRAWING	CHECK	CONFIG	APPE	

RST