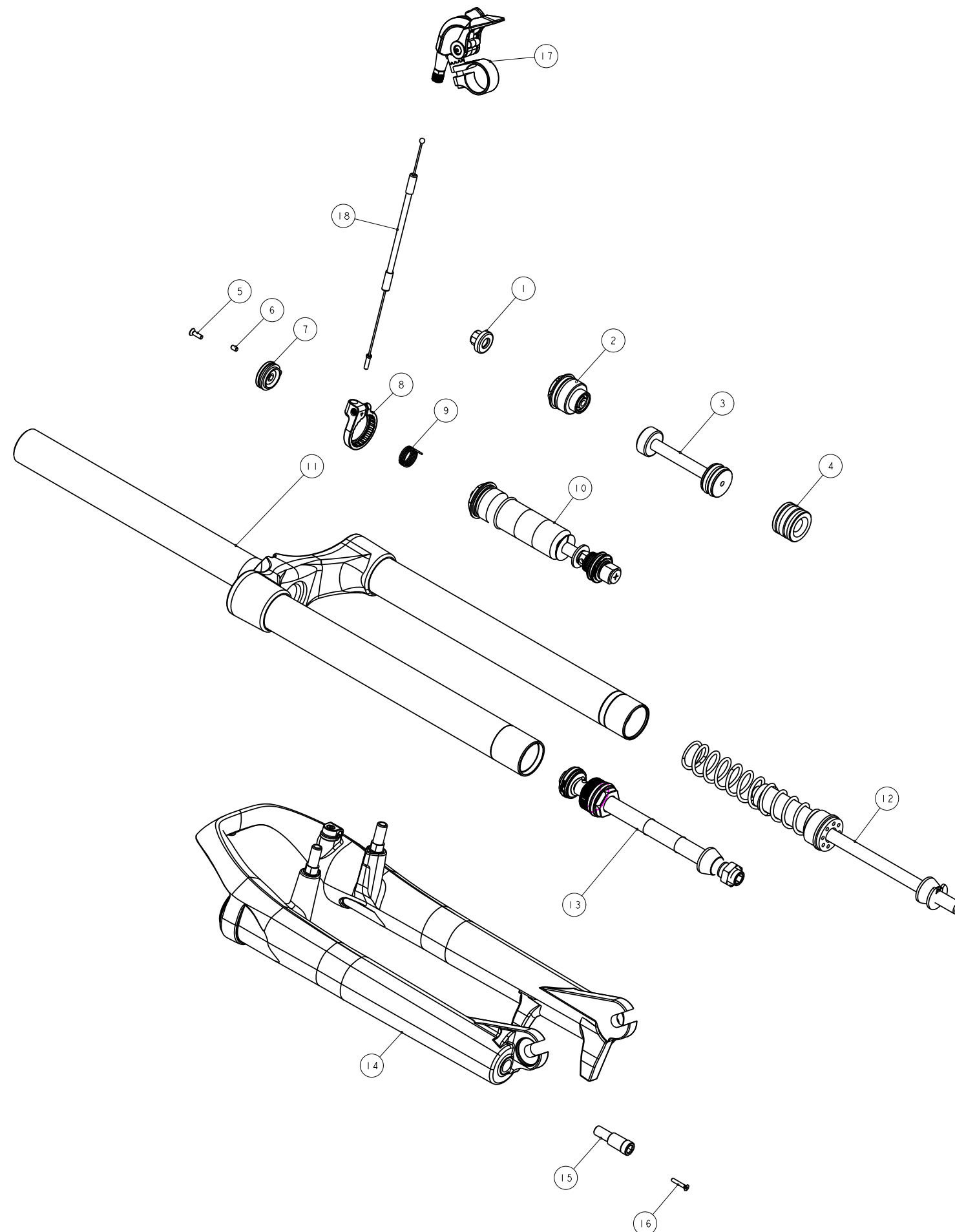


機械加工尺寸一般公差					REV.	DATE	DESCRIPTION	CHANGER	CHECK
尺寸	長寬高	尺寸	孔徑	軸徑					
1 <= 10	±0.2	1 <= 10	+0.2 -0	+0 -0.2					
10.001 <= 100	±0.3	10.001 <= 100	+0.3 -0	+0 -0.3					
100.001 <= 250	±0.5	100.001 <= 250	+0.5 -0	+0 -0.5					
250.001 <= 500	±0.8	250.001 <= 500	+1.0 -0	+0 -1.0					
500 <	±1.3	500 <	+1.5 -0	+0 -1.5					



1	M5GAE9DA183	Air Cap	1
2	H5GAE0MA-265-1	Fix Guide	1
3	H5GAEFB2426-1	Air Guide	1
4	H5GDPBD26	Air Piston	1
5	M5R22-2Y11-100	Rotor Screw	1
6	M5GDP7ARL-013	Grub Screw	1
7	M5GDPAK03	Cable Rotor	1
8	H5GDP8ARL6	RL Base	1
9	M5GDP7ARL-020	Rotor Spring	1
10	H5GDP7AK30B-1	Lockout Assembly	1
11	H5GCRC015WF1	Crown Assembly	1
12-1	H5GAEDJA210	Lower Spring Seat Assembly (For 100mm Travel)	1
12-2	H5GAEDJA210-1	Lower Spring Seat Assembly (For 80mm Travel)	1
13	H5GDP9AD265-3	Rebound Assembly	1
14-1	H5GFRU11-0100	Outer Leg Assembly (W/ Pivot Boss)	1
14-2	H5GFRU11-1100	Outer Leg Assembly (W/O Pivot Boss)	1
15	M5GAE9AZ034	Rebound Knob	1
16	1022A-02515	Rebound Knob Screw	1
17	H5GDPBARL2	RL Shifter	1
18	H5GDP7ARL3-1	Cable Set	1
NO.	PART NO.	ENGLISH NAME	QTY
MATERIAL	Assembly	Q'TY	1
UNIT	MM	SCALE	0.55
FASHING	TREAT	DRAW NO	PGD015GF- rev. 1.0
DESIGN	DRAWING	CHECK	CONFIG
			APPE
NAME PARTSLIST			
RST			