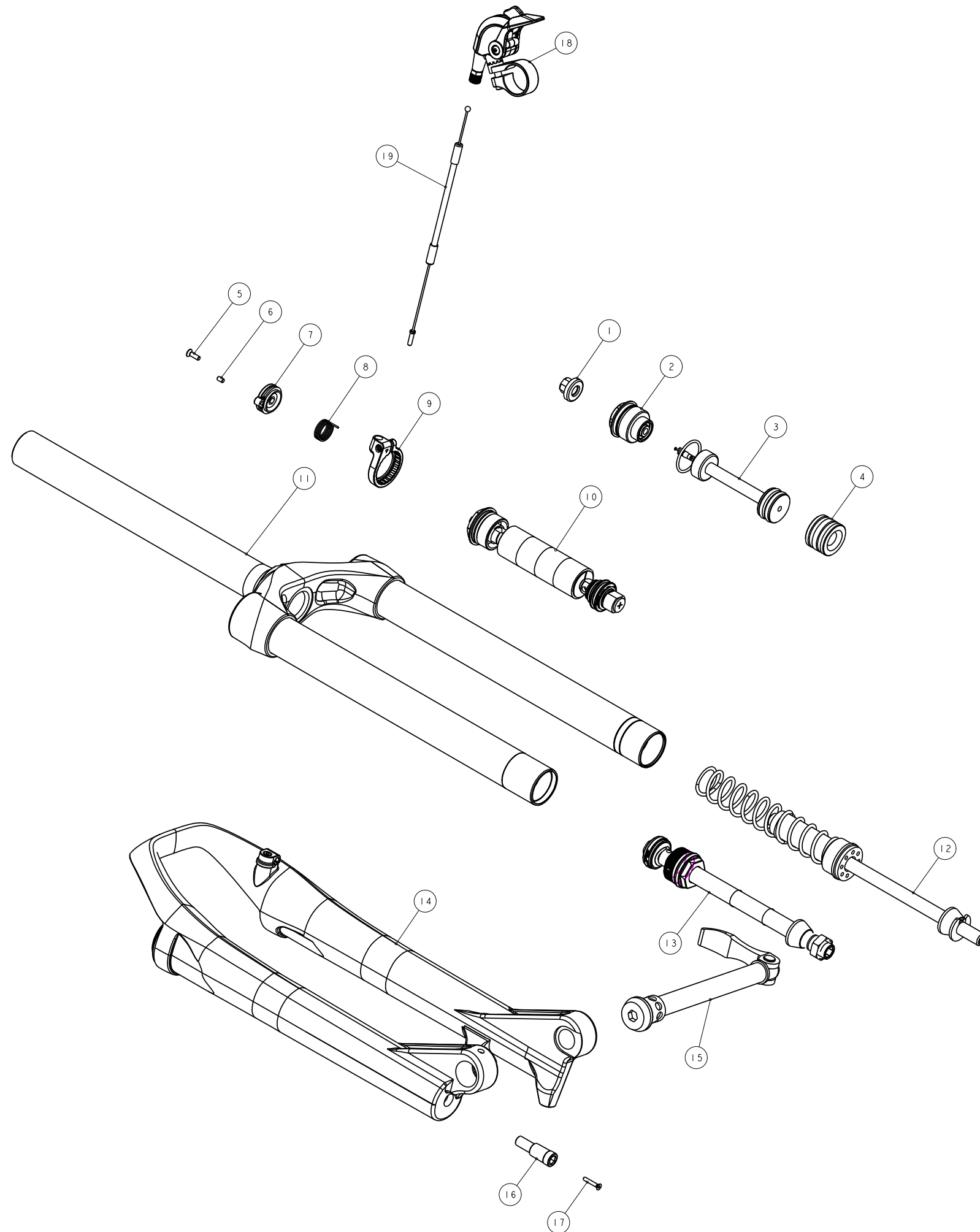


機械加工尺寸一般容許公差					REV.	DATE	DESCRIPTION	CHANGER	CHECK
尺寸	長寬高	尺寸	孔徑	軸徑					
1 <= 10	±0.2	1 <= 10	+0.2 0	+0 -0.2					
10.001 <= 100	±0.3	10.001 <= 100	+0.3 0	+0 -0.3					
100.001 <= 250	±0.5	100.001 <= 250	+0.5 0	+0 -0.5					
250.001 <= 500	±0.8	250.001 <= 500	+1.0 0	+0 -1.0					
500 <	±1.3	500 <	+1.5 0	+0 -1.5					



1	M5GAE9DA183	Air Cap	1
2	H5GAE0MA-265-1	Fix Guide	1
3	H5GAEFB2426-1	Air Guide	1
4	H5GDPBD26	Air Piston	1
5	M5R22-2Y11-100	Rotor Screw	1
6	M5GDP7ARL-013	Grub Screw	1
7	M5GDPAK03	Cable Rotor	1
8	M5GDP7ARL-020	Rotor Spring	1
9	H5GDP8ARL6	RL Base	1
10	H5GDP7AK30B-1	Lockout Assembly	1
11	H5GCRC017WF1	Crown Assembly	1
12-1	H5GAEDJA210	Lower Spring Seat Assembly (For 100mm Travel)	1
12-2	H5GAEDJA210-1	Lower Spring Seat Assembly (For 80mm Travel)	1
13	H5GDP9AD265-3	Rebound Assembly	1
14	H5GFRU15-1100	Outer Leg Assembly (W/O Pivot Boss)	1
15	H5GAC00211-1	15mm Aluminum Quick Release Axle	1
16	M5GAE9AZ034	Rebound Knob	1
17	1022A-02515	Rebound Knob Screw	1
18	H5GDPBARL2	RL Shifter	1
19	H5GDP7ARL3-1	Cable Set	1
NO.	PART NO.	ENGLISH NAME	QTY

MATERIAL	Assembly	QTY	1	MODEL	13' FIRST 30-15 AIR-SRL (80/100)		
UNIT	MM	SCALE	0.600	DRAW NO	PGD017GF-	rev.	1.0
FASHING		TREAT		DESIGN	PARTSLIST		
DESIGN	DRAWING	CHECK	CONFIG	APPE	RST		