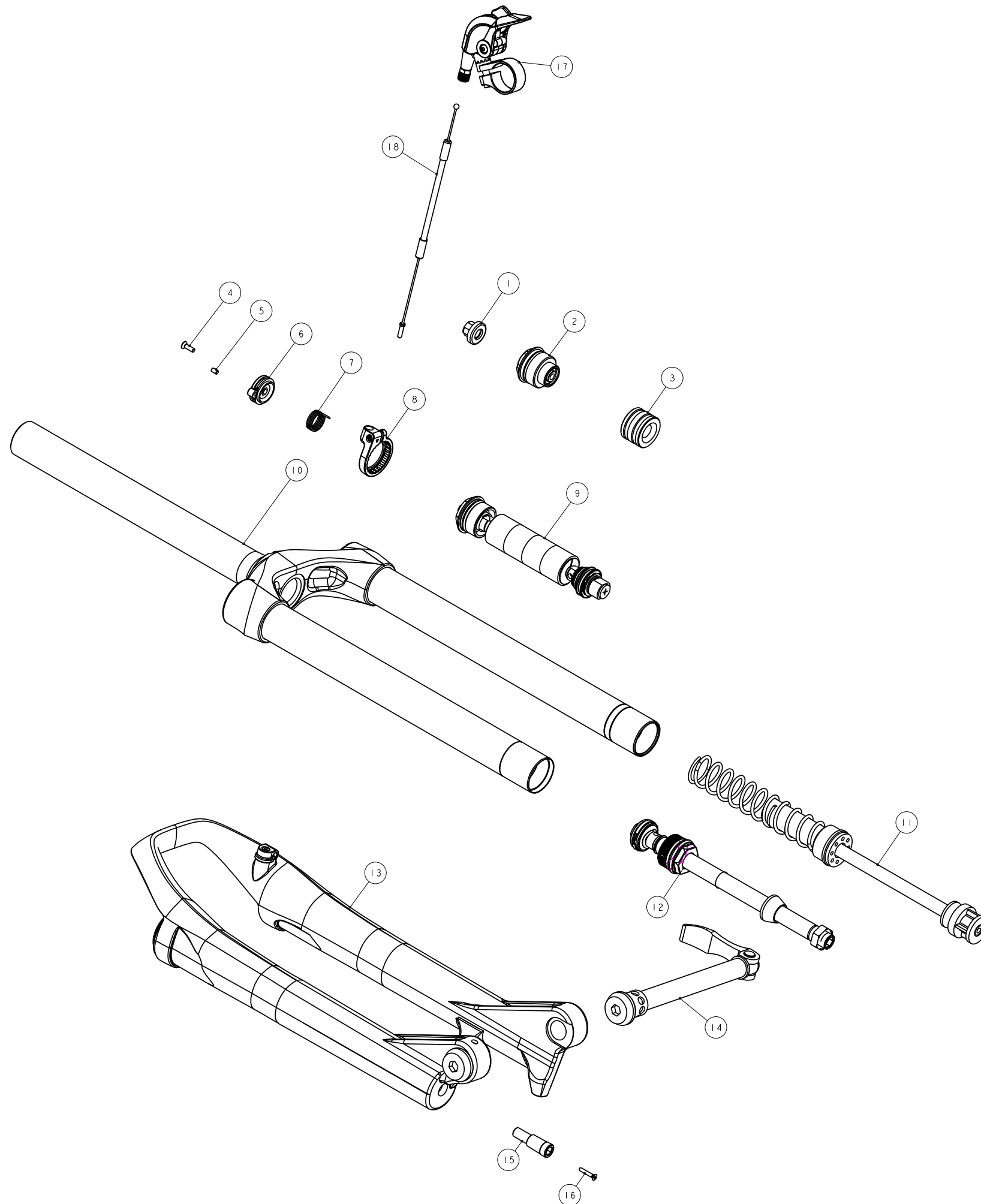


| 機械加工尺寸一般容許公差 | | | | | REV. | DATE | DESCRIPTION | CHANGER | CHECK |
|----------------|------|----------------|-----------|------------|------|------|-------------|---------|-------|
| 尺寸 | 長寬高 | 尺寸 | 孔徑 | 軸徑 | | | | | |
| 1 <= 10 | ±0.2 | 1 <= 10 | +0.2 0 | +0 -0.2 | | | | | |
| 10.001 <= 100 | ±0.3 | 10.001 <= 100 | +0.3 0 | +0 -0.3 | | | | | |
| 100.001 <= 250 | ±0.5 | 100.001 <= 250 | +0.5 0 | +0 -0.5 | | | | | |
| 250.001 <= 500 | ±0.8 | 250.001 <= 500 | +1.0 0 | +0 -1.0 | | | | | |
| 500 < | ±1.3 | 500 < | +1.5 0 | +0 -1.5 | | | | | |



| | | | |
|-----|----------------|---|-----|
| 1 | M5GAE9DA183 | Air Cap | 1 |
| 2 | H5GAECMA-265-1 | Fix Guide | 1 |
| 3 | H5GDPBD26 | Air Piston | 1 |
| 4 | M5R22-2Y11-100 | Rotor Screw | 1 |
| 5 | M5GDP7ARL-013 | Grub Screw | 1 |
| 6 | M5GDPAK03 | Cable Rotor | 1 |
| 7 | M5GDP7ARL-020 | Rotor Spring | 1 |
| 8 | H5GDP8ARL6 | RL Base | 1 |
| 9 | H5GDP7AK30B-1 | Lockout Assembly | 1 |
| 10 | H5GCRC017WG1 | Crown Assembly | 1 |
| 11 | H5GAEDJA215 | Lower Spring Seat Assembly (For 120mm Travel) | 1 |
| 12 | H5GDP0AD265-3 | Rebound Assembly | 1 |
| 13 | H5GFRU15-1100 | Outer Leg Assembly (W/O Pivot Boss) | 1 |
| 14 | H5GAC00211-1 | 15mm Aluminum Quick Release Axle | 1 |
| 15 | M5GAE9AZ034 | Rebound Knob | 1 |
| 16 | 1022A-02515 | Rebound Knob Screw | 1 |
| 17 | H5GDPBARL2 | RL Shifter | 1 |
| 18 | H5GDP7ARL3-1 | Cable Set | 1 |
| NO. | PART NO. | ENGLISH NAME | QTY |

| | | | | | | | |
|----------|----------|-------|--------|---------|-------------------------------|------|-----|
| MATERIAL | Assembly | Q'TY | 1 | MODEL | 13' FIRST 30-15 AIR-SRL (120) | | |
| UNIT | MM | SCALE | 0.600 | DRAW NO | PGD017GG- | rev. | 1.0 |
| FASHING | | TREAT | | DESIGN | PARTSLIST | | |
| DESIGN | DRAWING | CHECK | CONFIG | APPE | RST | | |