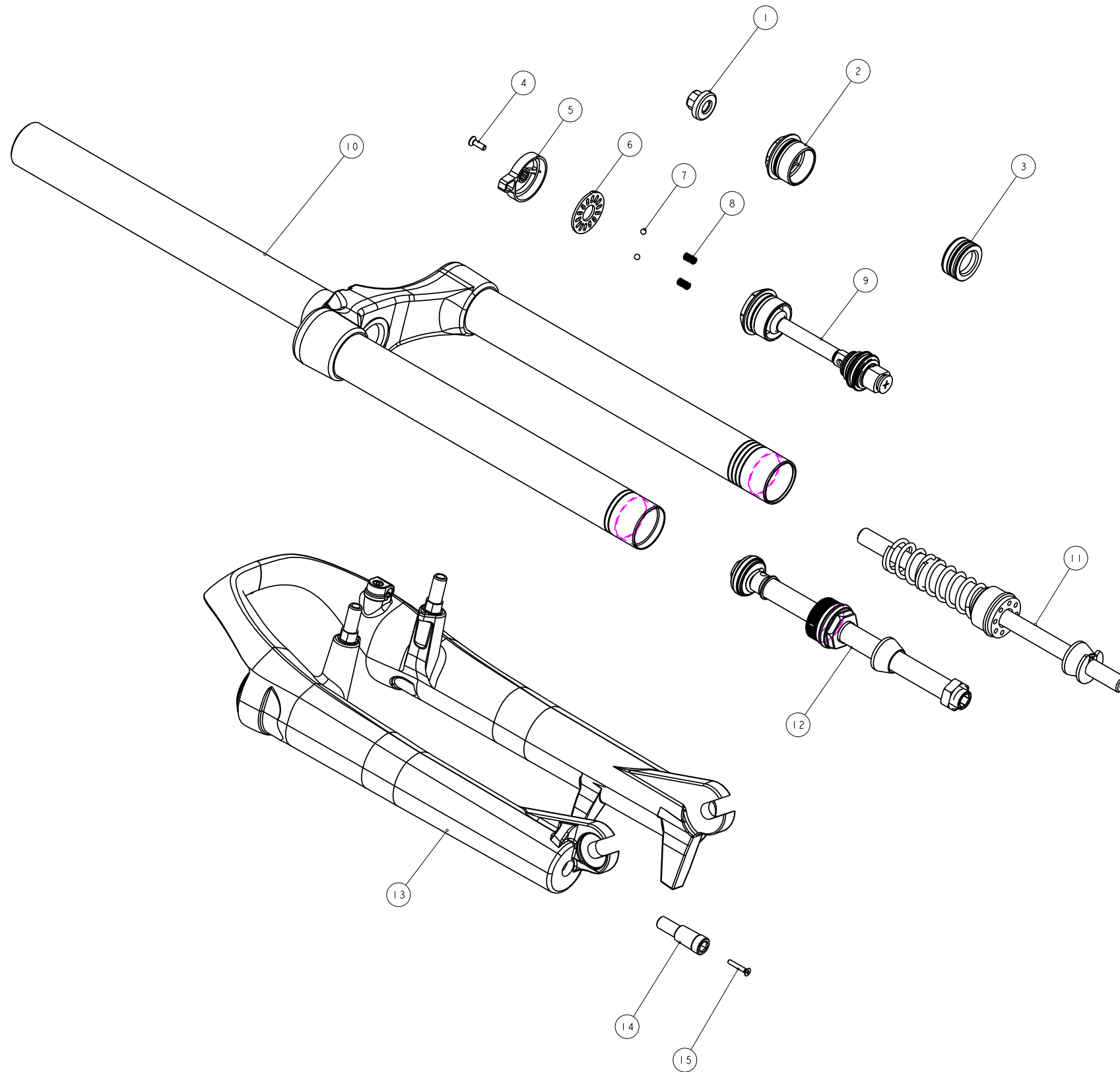


| 機械加工尺寸一般容許公差   |      |                |           |              | REV. | DATE | DESCRIPTION | CHANGER | CHECK |
|----------------|------|----------------|-----------|--------------|------|------|-------------|---------|-------|
| 尺寸             | 長度   | 尺寸             | 孔徑        | 軸徑           |      |      |             |         |       |
| 1 <= 10        | ±0.2 | 1 <= 10        | +0.2<br>0 | +0.2<br>-0.2 |      |      |             |         |       |
| 10.001 <= 100  | ±0.3 | 10.001 <= 100  | +0.3<br>0 | +0.3<br>-0.3 |      |      |             |         |       |
| 100.001 <= 250 | ±0.5 | 100.001 <= 250 | +0.5<br>0 | +0.5<br>-0.5 |      |      |             |         |       |
| 250.001 <= 500 | ±0.8 | 250.001 <= 500 | +1.0<br>0 | +1.0<br>-1.0 |      |      |             |         |       |
| 500 <          | ±1.3 | 500 <          | +1.5<br>0 | +1.5<br>-1.5 |      |      |             |         |       |



|     |                |                                              |     |
|-----|----------------|----------------------------------------------|-----|
| 1   | M5GAE9DA183    | Air Cap                                      | 1   |
| 2   | H5GAEBMA250-1  | Fix Guide                                    | 1   |
| 3   | H5GDPBAD24-1   | Air Piston                                   | 1   |
| 4   | M5R22-2Y11-100 | Compression Knob Screw                       | 1   |
| 5   | M5GAEBTN38     | Compression Knob                             | 1   |
| 6   | M5GAE9CS27-1   | Dial                                         | 1   |
| 7   | M5K43-2730-000 | Detent Ball                                  | 2   |
| 8   | M5K43-2351-000 | Detent Spring                                | 2   |
| 9   | H5GDPBAK20B-1  | Lockout Assembly                             | 1   |
| 10  | H5GCRC018GC1   | Crown Assembly                               | 1   |
| 11  | H5GAEDJA207    | Lower Spring Seal Assembly (For 60mm Travel) | 1   |
| 12  | H5GDPBAD265-3  | Rebound Assembly                             | 1   |
| 13  | H5GFRUI4-0100  | Outer Leg Assembly (W/ Pivot Boss)           | 1   |
| 14  | M5GAE9AZ034    | Rebound Knob                                 | 1   |
| 15  | 1022A-02515    | Rebound Knob Screw                           | 1   |
| NO. | PART NO.       | ENGLISH NAME                                 | QTY |

|          |          |       |        |         |                       |          |
|----------|----------|-------|--------|---------|-----------------------|----------|
| MATERIAL | Assembly | QTY   | 1      | MODEL   | 13' FIRST 24 AIR (60) |          |
| UNIT     | MM       | SCALE | 0.700  | DRAW NO | PGD018FC-             | rev. 1.0 |
| FASHING  |          | TREAT |        | DESIGN  | PARTSLIST             |          |
| DESIGN   | DRAWING  | CHECK | CONFIG | APPE    | RST                   |          |