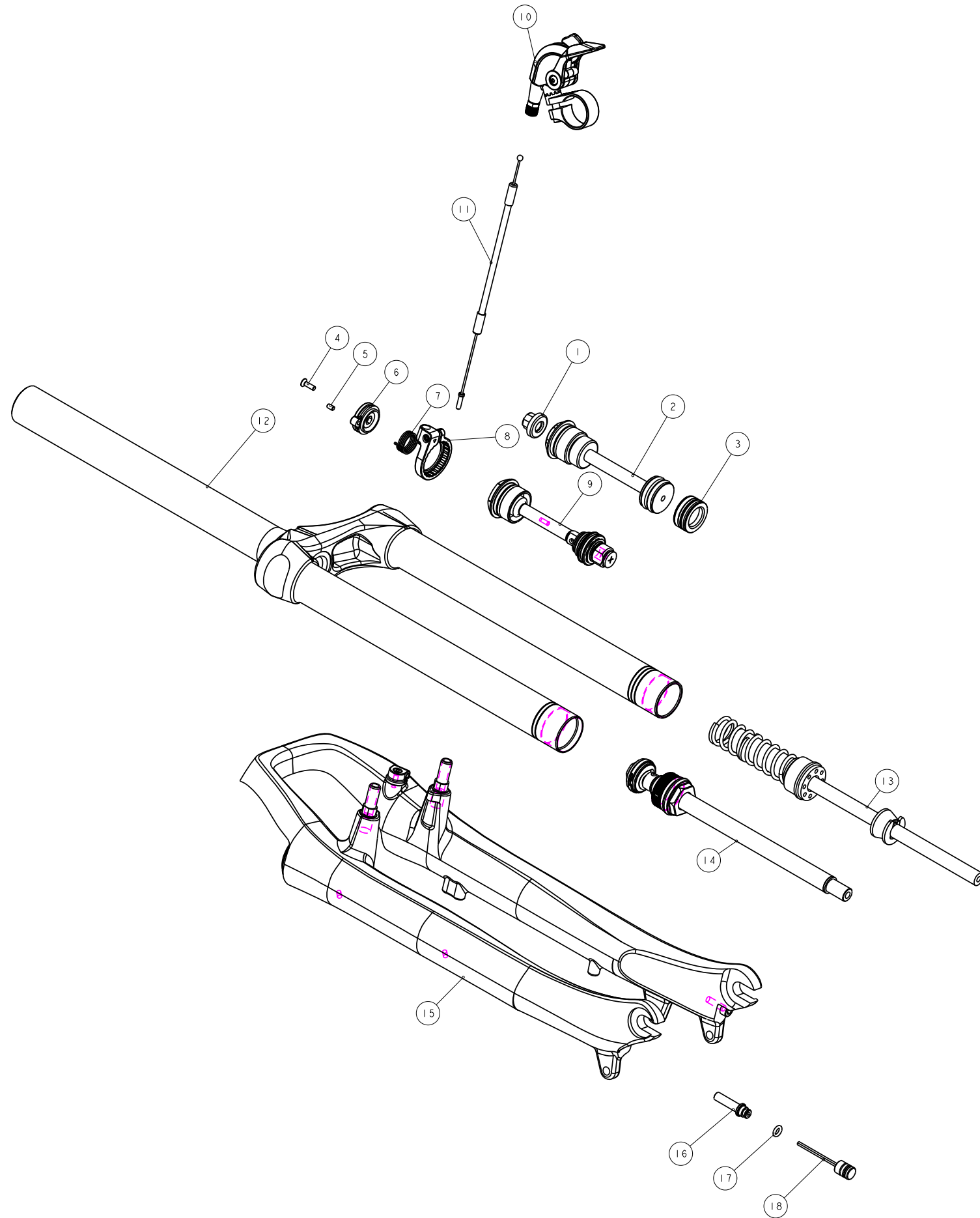


機械加工尺寸一般容許公差					REV.	DATE	DESCRIPTION	CHANGER	CHECK
尺寸	長寬高	尺寸	孔徑	軸徑					
1 <= 10	±0.2	1 <= 10	+0.2 0	+0 -0.2					
10.001 <= 100	±0.3	10.001 <= 100	+0.3 0	+0 -0.3					
100.001 <= 250	±0.5	100.001 <= 250	+0.5 0	+0 -0.5					
250.001 <= 500	±0.8	250.001 <= 500	+1.0 0	+0 -1.0					
500 <	±1.3	500 <	+1.5 0	+0 -1.5					



1	M5GAE9DA183	Air Cap	1
2	H5GAEBMA250	Fix Guide Assembly	1
3	H5GDPBAD24-2	Air Pistion	1
4	M5R22-2Y11-100	Rotor Screw	1
5	M5GDP7ARL-013	Grub Screw	1
6	M5GDPAK03	Cable Rotor	1
7	M5GDP7ARL-020	Rotor Spring	1
8	H5GDP8ARL6	RL Bose	1
9	H5GDPBAK20B-1	Lockout Assembly	1
10	H5GDPBARL2	RL Shifter	1
11	H5GDP7ARL3-1	Cable Set	1
12	H5GCRC020GD1	Crown Assembly	1
13-1	H5GAEBJA227	Lower Spring Seat Assembly (For 75mm Travel)	1
13-2	H5GAEBJA212	Lower Spring Seat Assembly (For 60mm Travel)	1
13-3	H5GAEBJA202	Lower Spring Seat Assembly (For 50mm Travel)	1
14	H5GDPCAA265	Rebound Assembly	1
15-1	H5GFRW11-0100	Outer Leg Assembly(W/ Pivot Boss)	1
15-2	H5GFRW11-1100	Outer Leg Assembly(W/O Pivot Boss)	1
16	M5GACBI012-01	Rebound Adjust Screw	1
17	8064A-00500	O-Ring	1
18	H5GAEBLA018	Rebound Knob	1
NO.	PART NO.	ENGLISH NAME	QTY

MATERIAL	Assembly	Q'TY	1	MODEL	12' VOGUE AIR-SRL		
UNIT	MM	SCALE	0.600	DRAW NO	PGC020GD-	rev.	A
FASHING		TREAT		DESIGN	DRAWING	CHECK	CONF IG
DESIGN	DRAWING	CHECK	CONF IG	APPE	NAME PARTSLIST		
<b>RST</b>							