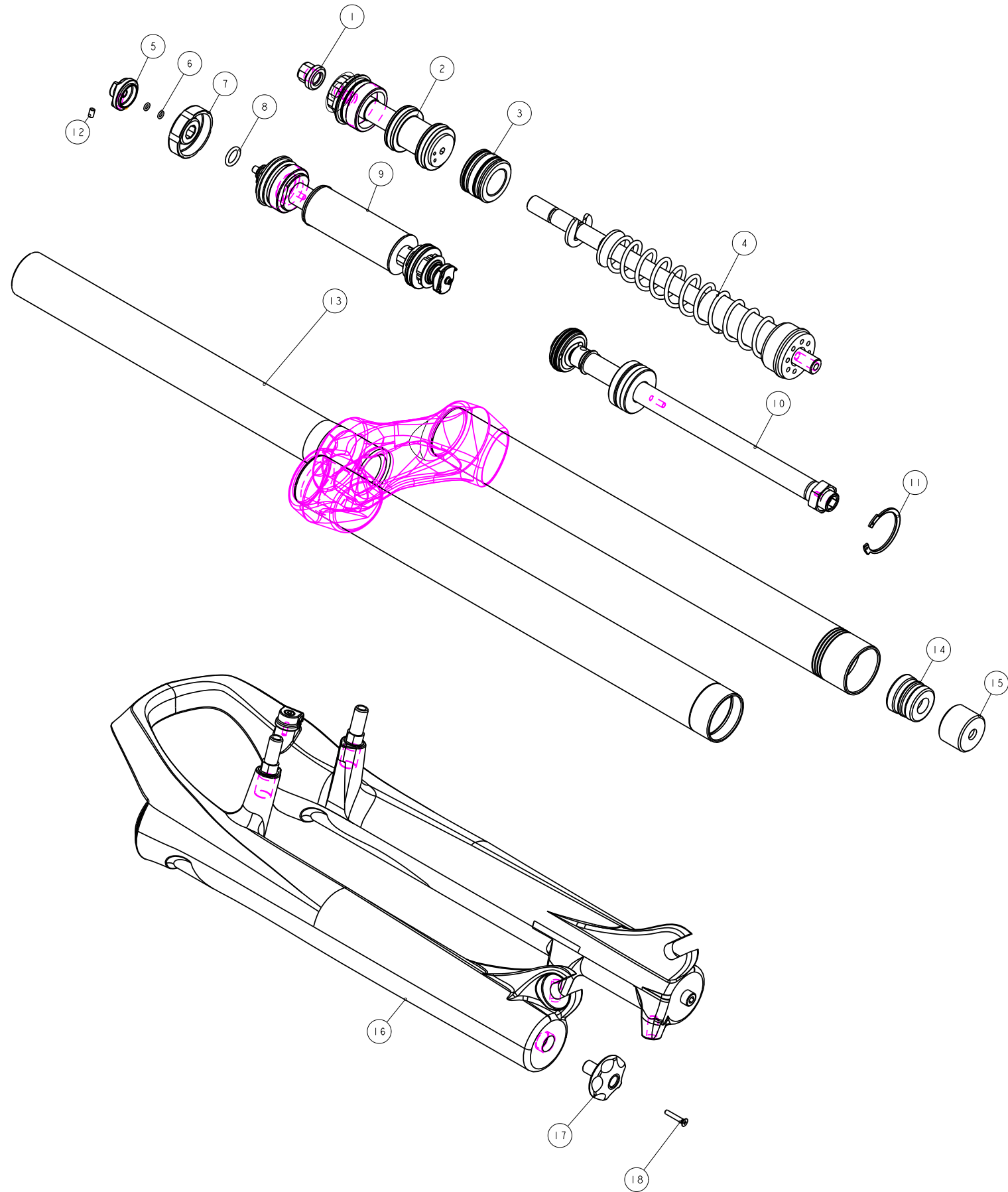


機械加工尺寸一般許公差					REV.	DATE	DESCRIPTION	CHANGER	CHECK
尺寸	公差	尺寸	公差	公差					
1 <= 10	±0.2	1 <= 10	±0.2	+0.2 0 -0.2					
10.001 <= 100	±0.3	10.001 <= 100	±0.3	+0.3 0 -0.3					
100.001 <= 250	±0.5	100.001 <= 250	±0.5	+0.5 0 -0.5					
250.001 <= 500	±0.8	250.001 <= 500	±0.8	+1.0 0 -1.0					
500 <	±1.3	500 <	±1.3	+1.5 0 -1.5					



1	M5GAEBDA015	Air Cap	1
2	H5GAEBMA032	Air Guide Assembly	1
3	H5GAE0LP32	Air Piston	1
4	H5GAEBHA225-1	Lower Spring Seat Assembly (For 120mm Travel)	1
5	M5GAEBBA160	Cap	1
6	M5GORB-100-0300	O-Ring	2
7	M5GAEBBA316	Cap	1
8	8064A-00900	O-Ring	1
9	H5GDPBAD32	Platform Damper	1
10	H5GDPBAD14	Rebound Assembly	1
11	3052D-30000	C-Clip	1
12	M5GDP7ARL-013	Grub Screw	1
13	H5GCRC010PG1	Crown Assembly	1
14	M5GSPB-401	Bumper	1
15	M5GAE0JP18	Spacer	1
16-1	H5GFRH11-1100	Outer Leg Assembly (W/O Pivot Boss)	1
16-2	H5GFRH11-0100	Outer Leg Assembly (W/ Pivot Boss)	1
17	M5GAEBAZ200	Rebound Konb	1
18	1022A-02515	Rebound Konb Screw	1
NO.	PART NO.	ENGLISH NAME	QTY

MATERIAL	Assembly	Q'TY	1	MODEL	12' TITAN PLATFORM(120)
UNIT	MM	SCALE	0.700	DRAW NO	PGC010PG rev. A
FASHING		TREAT		NAME	PARTSLIST
DESIGN	DRAWING	CHECK	CONFIG	APPE	
					RST