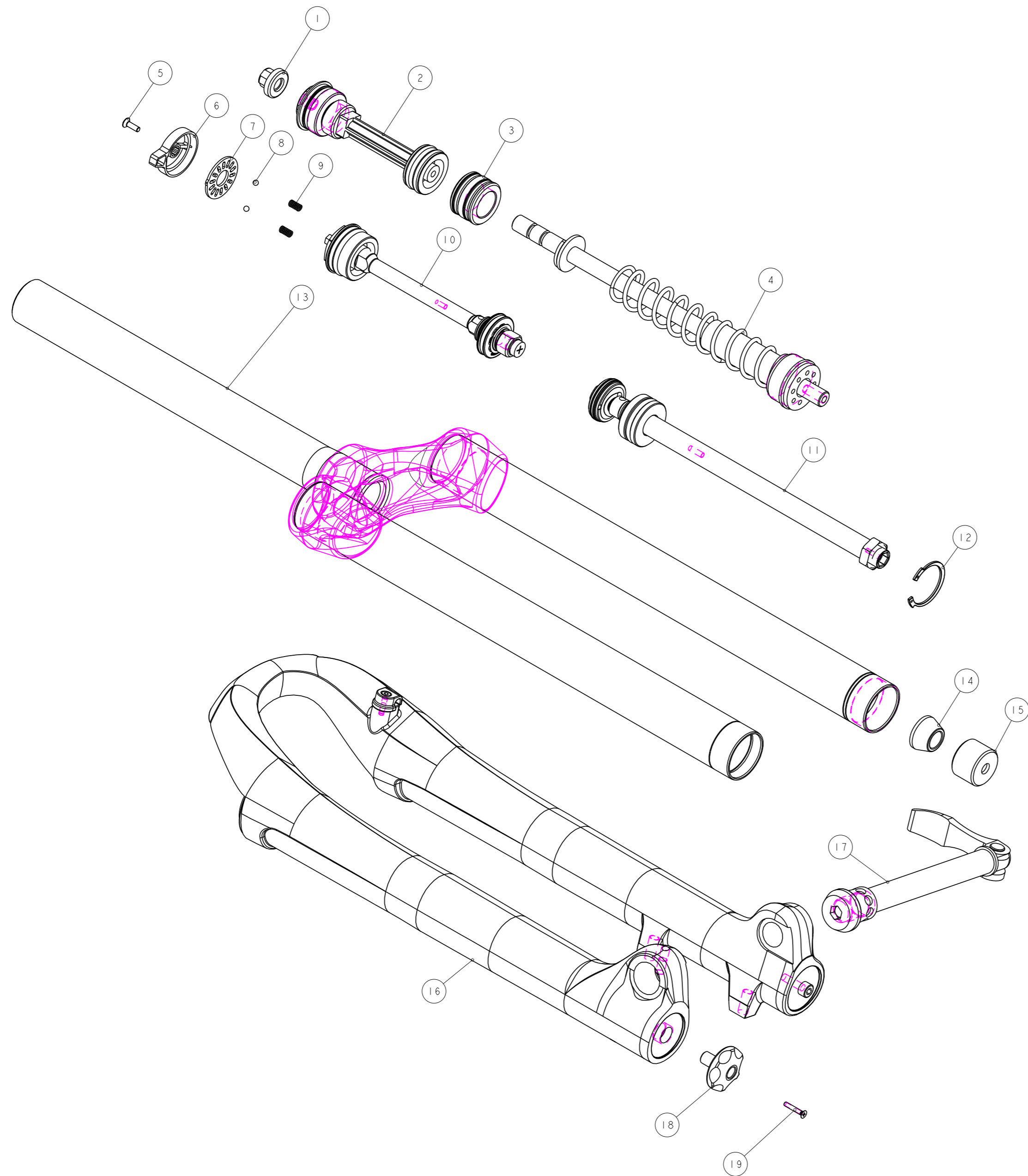


機械加工尺寸一般容許公差					REV.	DATE	DESCRIPTION	CHANGER	CHECK
尺寸	長寬高	尺寸	孔徑	軸徑					
1 <= 10	±0.2	1 <= 10	+0.2 -0	+0 -0.2					
10.001 <= 100	±0.3	10.001 <= 100	+0.3 -0	+0 -0.3					
100.001 <= 250	±0.5	100.001 <= 250	+0.5 -0	+0 -0.5					
250.001 <= 500	±0.8	250.001 <= 500	+1.0 -0	+0 -1.0					
500 <	±1.3	500 <	+1.5 -0	+0 -1.5					



1	M5GAE9DA183	Air Cap	1
2	H5GDP0CR80	Fix Guide	1
3	H5GAE0LP32	Air Piston	1
4-1	H5GAECHA244-1	Lower Spring Seat Assembly (For 120mm Travel)	1
4-2	H5GAECHA244-2	Lower Spring Seat Assembly (For 140mm Travel)	1
4-3	H5GAECHA244-3	Lower Spring Seat Assembly (For 150mm Travel)	1
5	M5R22-2Y11-100	Compression Konb Screw	1
6	M5GAEBTN38	Compression Konb	1
7	M5GAE9CS27-1	Dial	1
8	M5K43-2730-000	Detent Ball	2
9	M5K43-2351-000	Detent Spring	2
10	H5GDP0AK30B	Lockout Assembly	1
11	H5GDP0AD15	Rebound Assembly	1
12	3052D-30000	C-Clip	1
13	H5GCRC009PK1	Crown Assembly	1
14	M5S32-2310-000	Bumper	1
15	M5GAE0JP18	spacer	1
16	H5GFRH01-1000	Outer Leg Assembly (W/O Pivot Boss)	1
17	H5GAC00211-1	15mm Aluminum Quick Release Axle	1
18	M5GAEBAZ200	Rebound Konb	1
19	I022A-02515	Rebound Konb Screw	1
NO.	PART NO.	ENGLISH NAME	QTY

MATERIAL	Assembly	Q'TY	1	MODEL	I2' TATIN15 AIR(120/140/150)		
UNIT	MM	SCALE	0.700	DRAW NO	PGC009FK	rev.	A
FASHING		TREAT		DESIGN	PARTSLIST		
DESIGN	DRAWING	CHECK	CONFIG	APPE	NAME		
					RST		