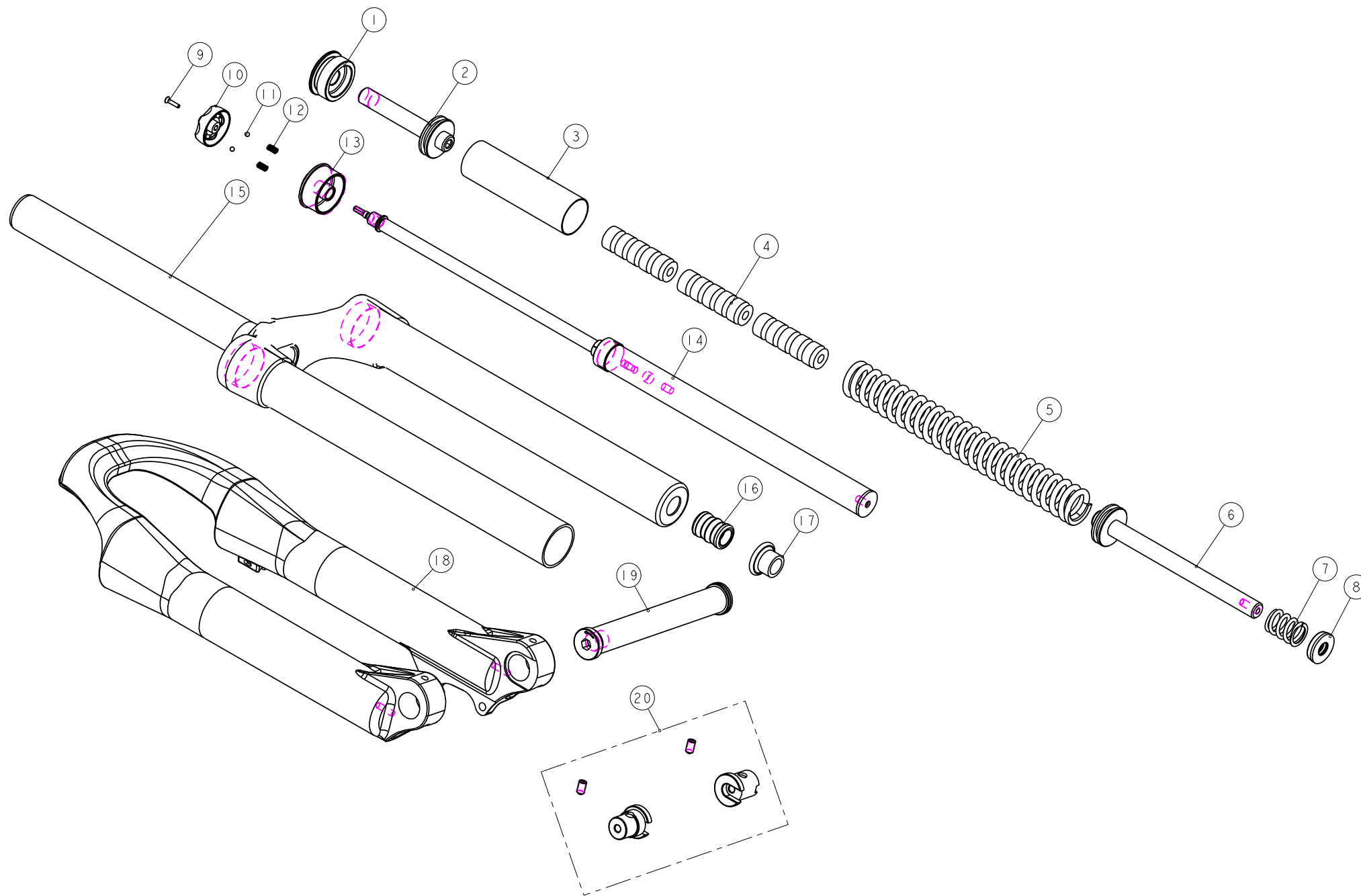


機械加工尺寸一般容許公差					REV.	DATE	DESCRIPTION	CHANGER	CHECK
尺寸	長度	尺寸	孔徑	軸徑					
1 <= 10	±0.2	1 <= 10	+0.2 0	+0.2 0					
10.001 <= 100	±0.3	10.001 <= 100	+0.3 0	+0.3 0					
100.001 <= 250	±0.5	100.001 <= 250	+0.5 0	+0.5 0					
250.001 <= 500	±0.8	250.001 <= 500	+1.0 0	+1.0 0					
500 <	±1.3	500 <	+1.5 0	+1.5 0					



1	M5GAE9NA335	Fix Guide	1
2	M5GAECA085	Spring Seat	1
3	M5GAC-100-30	Spring Sheath	1
4	M231-D18-L60-60	Compressible buna	3
5	M5FVX-2353-100	Spring	1
6-1	M5GAECA160	Lower Spring Seat for 100mm	1
6-2	M5GAECA140	Lower Spring Seat for 80mm	1
7	M5X43-2350-000	Spring	1
8	M5GSPB-5006-2	Bumper	1
9	I022A-02512C-B	Rebound Knob Screw	1
10	M5GAEAZ034	Rebound Knob	1
11	M5K43-2730-000	Detent Ball	2
12	M5K43-2351-000	Detent Spring	2
13	M5GAE9DZ335	Fix Guide	1
14	H5GDP8BD130	Rebound Cortridge for 80mm&100mm	1
15	H5GRC006MF1	Crown Assembly	1
16	M5K42-2310-000	Bumper	1
17	M5F53-2162-000	Spacer	1
18	H5GFRD91-0000	Outer Leg Assembly(W/O pivot Boss)	1
19	H5GACC020	20MM Aluminum Through Axle	1
20	H5GACC020-1	QR Adapter	1
NO.	PART NO.	ENGLISH NAME	QTY

MATERIAL	Assembly	Q'TY	1	MODEL	12' SPACE FREE TA(80/100)
UNIT	MM	SCALE	0.550	DRAW NO	PGC006MF rev. A
FASHING		TREAT		NAME	PARTSLIST
DESIGN	DRAWING	CHECK	CONFIG	APPE	RST