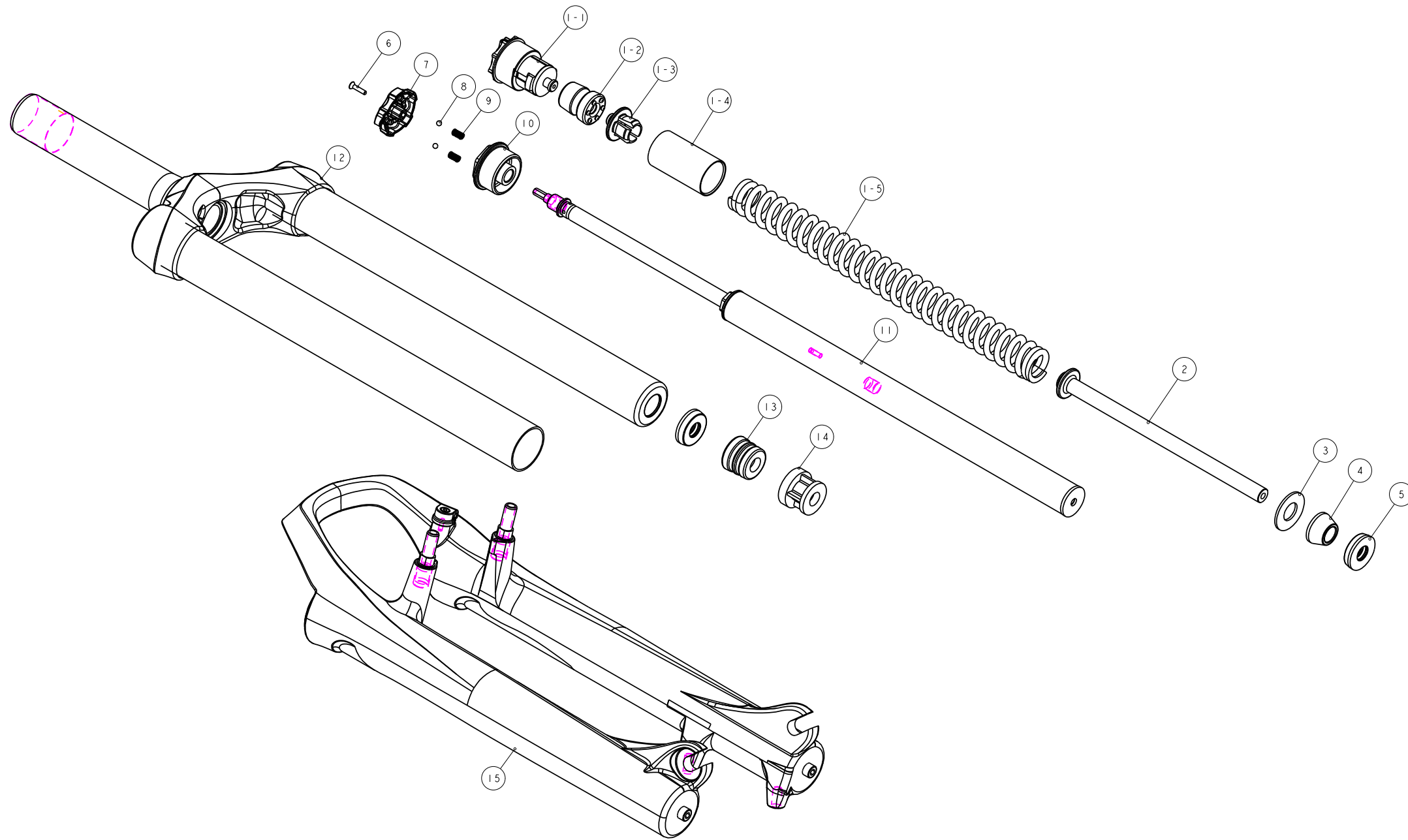


機械加工尺寸一般公差					REV.	DATE	DESCRIPTION	CHANGER	CHECK
尺寸	公差	尺寸	公差	公差					
1 <= 10	±0.2	1 <= 10	±0.2	+0.2 0 -0.2					
10.001 <= 100	±0.3	10.001 <= 100	±0.3	+0.3 0 -0.3					
100.001 <= 250	±0.5	100.001 <= 250	±0.5	+0.5 0 -0.5					
250.001 <= 500	±0.8	250.001 <= 500	±0.8	+1.0 0 -1.0					
500 <	±1.3	500 <	±1.3	+1.5 0 -1.5					



1A	H5GSP-C080G	Coil Spring Assembly-K=1.1	1
1B	H5GSP-C080G-H	Coil Spring Assembly-K=1.3	1
1C	H5GSP-C080G-S	Coil Spring Assembly-K=0.84	1
1-1	H5GAE0A29	Preload Adjuster Assembly	1
1-2	M5GSPB-503-40	Bumper	1
1-3	M5R22-2161-000	Spring Seat	1
1-4	M5FUA-2310-000	Spring Sheath	1
1-5A	M5GSPB3260-110	Coil Spring-K=1.1	1
1-5B	M5GSPB3260-130	Coil Spring-K=1.3	1
1-5C	M5GSPB3260-084	Coil Spring-K=0.84	1
2-1	M5GAECC130	Lower Spring Seat (for 80mm travel)	1
2-2	M5GAECC150	Lower Spring Seat (for 100mm travel)	1
2-3	M5GAECC170	Lower Spring Seat (for 120mm travel)	1
3	M5K41-2Y20-000	Spacer	1
4	M5S32-2310-000	Bumper	1
5	M5GSPB-5006-2	Bumper	2
6	1022A-02512C-B	Compression Knob Screw	1
7	M5GAE8TZ-2	Compression Knob	1
8	M5K43-2730-000	Detent Ball	2
9	M5K43-2351-000	Detent Spring	2
10	M5GAE0DA29	Fix Guide	1
11-1	H5GDP6AK14	Rebound Cartridge For 100mm&120mm	1
11-2	H5GDP6AK10	Rebound Cartridge For 80mm	1
12	H5GCRC080XG1	Crown Assembly	1
13	M5GSPB-401-5	Bumper	1
14	M5GAE8JB027	Lower Seat	1
15-1	H5GFRH11-0000	Outer Leg Assembly(W/ pivot boss)	1
15-2	H5GFRH11-1000	Outer Leg Assembly(W/O Pivot boss)	1
NO.	PART NO.	ENGLISH NAME	QTY

MATERIAL	Assembly	Q'TY	1	MODEL	12' SATURN 2(80/100/120)
UNIT	MM	SCALE	0.650	DRAW NO	PGC080TG rev. A
FASHING		TREAT		DESIGN	
DESIGN	DRAWING	CHECK	CONFIG	APPE	NAME
					PARTSLIST
					RST