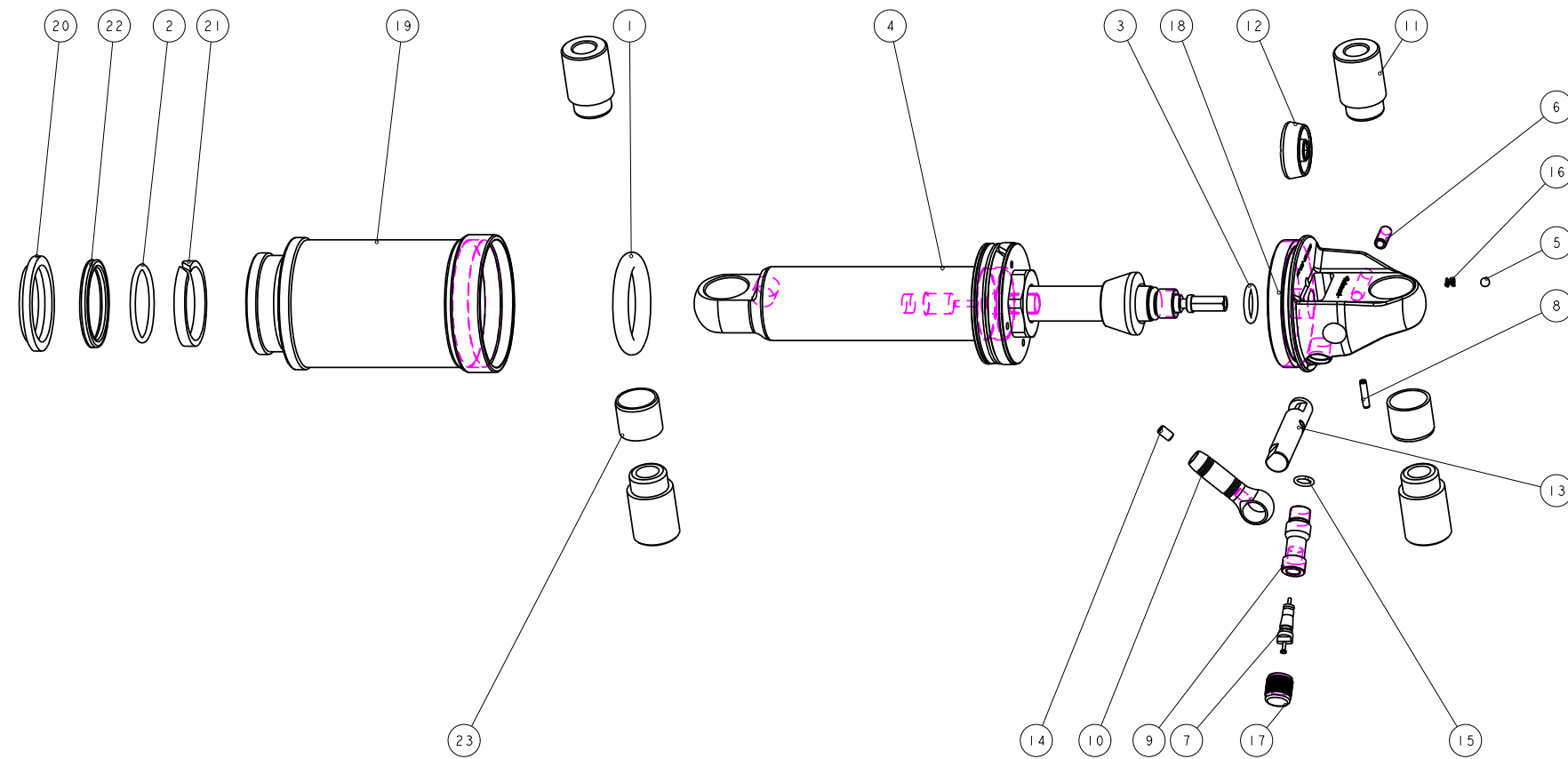


機械加工尺寸一般容許公差					REV.	DATE	DESCRIPTION	CHANGER	CHECK
尺寸	長度	尺寸	孔徑	軸徑					
1 <= 10	±0.2	1 <= 10	+0.2 0	+0.2 -0.2					
10.001 <= 100	±0.3	10.001 <= 100	+0.3 0	+0.3 -0.3					
100.001 <= 250	±0.5	100.001 <= 250	+0.5 0	+0.5 -0.5					
250.001 <= 500	±0.8	250.001 <= 500	+1.0 0	+1.0 -1.0					
500 <	±1.3	500 <	+1.5 0	+1.5 -1.5					



1	8064A-31800	O-Ring	1
2	8064C-02100	O-Ring	1
3	8064C-12800	O-Ring	1
4-1	H5GDPCBE5764-1	Compression Rods For E to E 190mm	1
4-2	H5GDPCBE5762-1	Compression Rods For E to E 165mm	1
4-3	H5GDPCBE5760-1	Compression Rods For E to E 150mm	1
5	M5FLX-2730-000	Steel Ball	1
6	M5GAC01224	Steel Ball	1
7	M5GAC8-1212-1	Scharder Air Valve	1
8	M5GACB0622-1	Spring Pin	1
9	M5GACC0907-01	Air Vent	1
10	M5GAE0DA200	Lock Out Bracket	1
11	M5GAE0ZPXXXXXX	Bushing	4
12	M5GAECAA200	Rebound Knob	1
13	M5GAECSA030	Camshaft	1
14	M5GDP7ARL-013	Grub Screw	1
15	M5GORC-100-0500	O-Ring	1
16	M5GSP94031	Spring	1
17	M5M43-2120-000	Air Cap	1
18	M5RA2-5810-000	Outer Cap	1
19-1	M5RA2-5815-100	Out Leg For E to E 190mm	1
19-2	M5RA2-5813-100	Out Leg For E to E 165mm	1
19-3	M5RA2-5811-100	Out Leg For E to E 150mm	1
20	M5RAT-5310-100	Seal	1
21	M5RAT-5341-000	O-Ring	1
22	QRAR04120	O-Ring	1
23	M5GAC9013	Bushing	2
NO.	PART NO.	ENGLISH NAME	QTY

MATERIAL	Assembly	Q'TY	1	MODEL	12' Rear Shock		
UNIT	MM	SCALE	0.900	DRAW NO	PGC078YS	rev.	A
FASHING		TREAT		DESIGN	PARTSLIST		
DESIGN	DRAWING	CHECK	CONFIG	APPE	RST		