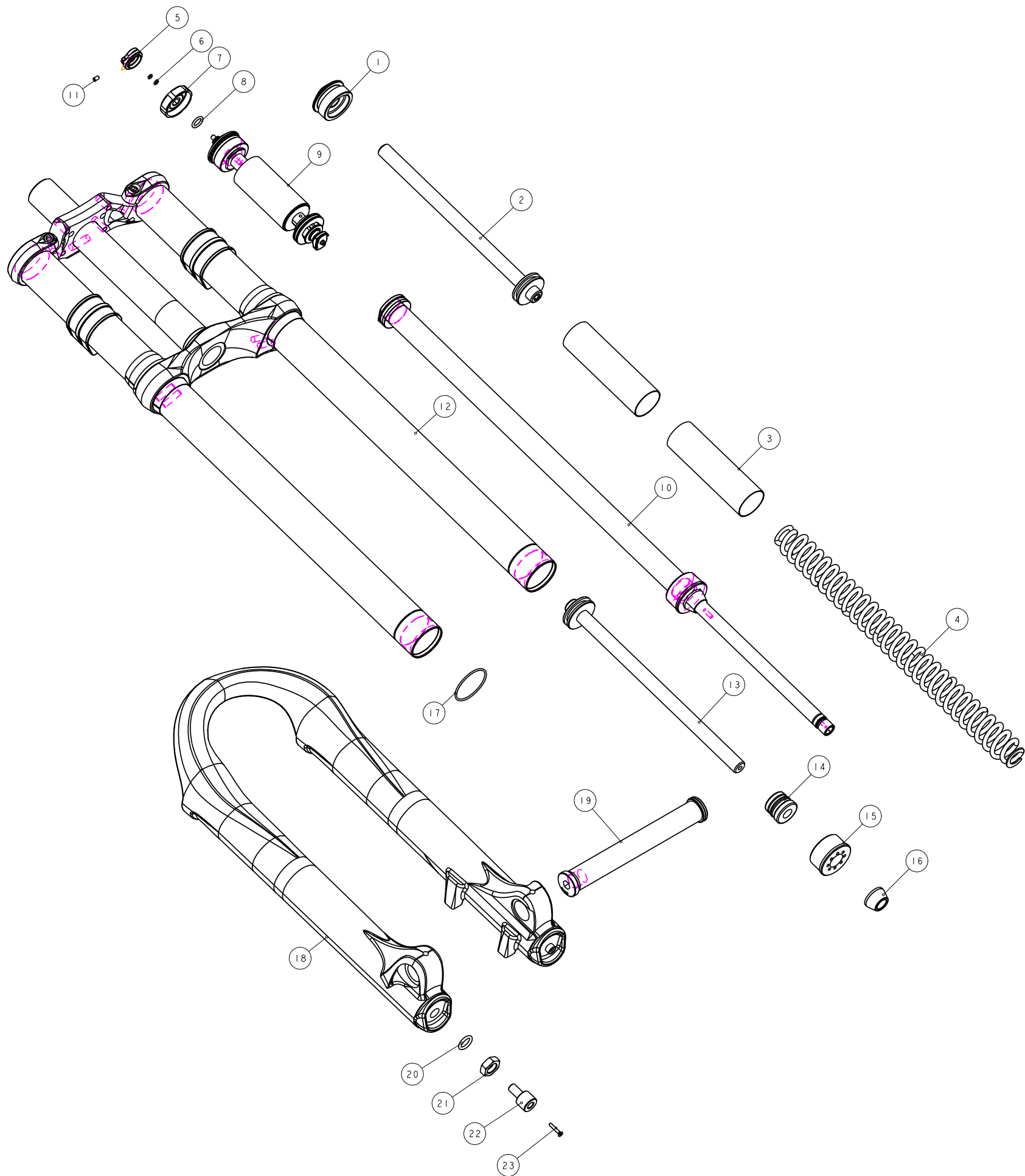


機械加工尺寸一般容許公差					REV.	DATE	DESCRIPTION	CHANGER	CHECK
尺寸	長度	尺寸	孔徑	軸徑					
1 <= 10	±0.2	1 <= 10	+0.2 0	+0.2 -0.2					
10.001 <= 100	±0.3	10.001 <= 100	+0.3 0	+0.3 -0.3					
100.001 <= 250	±0.5	100.001 <= 250	+0.5 0	+0.5 -0.5					
250.001 <= 500	±0.8	250.001 <= 500	+1.0 0	+1.0 -1.0					
500 <	±1.3	500 <	+1.5 0	+1.5 -1.5					



1	M5GAE9NA335	Fix Guide	1
2	M5GAECA215	Compression Rod	1
3	M5GAC-100-30	Spring Sheath	2
4	M5F51-2357-000	Spring	1
5	M5GAEBBA160	Cap	1
6	M5GORB-100-0300	O-Ring	2
7	M5GAEBBA316	Cap	1
8	8064A-00900	O-Ring	1
9	H5GDPBAD36	Platform Damper	1
10	H5GDPCAD325E	Rebound Adjust Assembly	1
11	M5GDP7ARL-013	Grub Screw	1
12	H5GCRC002JMI	Crown Assembly	1
13	M5GAECA237	Compression Rod	1
14	M5GSPB-401	Bumper	1
15	M5GAEEB-340	Cap	1
16	M5S32-2310-000	Bumper	1
17	M5GORB-150-3400	O-Ring	1
18	H5GFRB91-0100	Outer Leg Assembly (W/O Pivot Boss)	1
19	H5GACC020	20MM Aluminum Through Axle	1
20	M5GOR8-240-1080	O-Ring	1
21	M5GAC66	Nut	1
22	M5FZP-2061-200	Rebound Knob	1
23	1022A-02515	Rebound Knob Screw	1
NO.	PART NO.	ENGLISH NAME	QTY

MATERIAL	Assembly	Q'TY	1	MODEL	12' RI Platform TA(180mm)		
UNIT	MM	SCALE	0.500	DRAW NO	PGC002JM	rev.	A
FASHING		TREAT		DESIGN	PARTSLIST		
DESIGN	DRAWING	CHECK	CONFIG	APPE	RST		