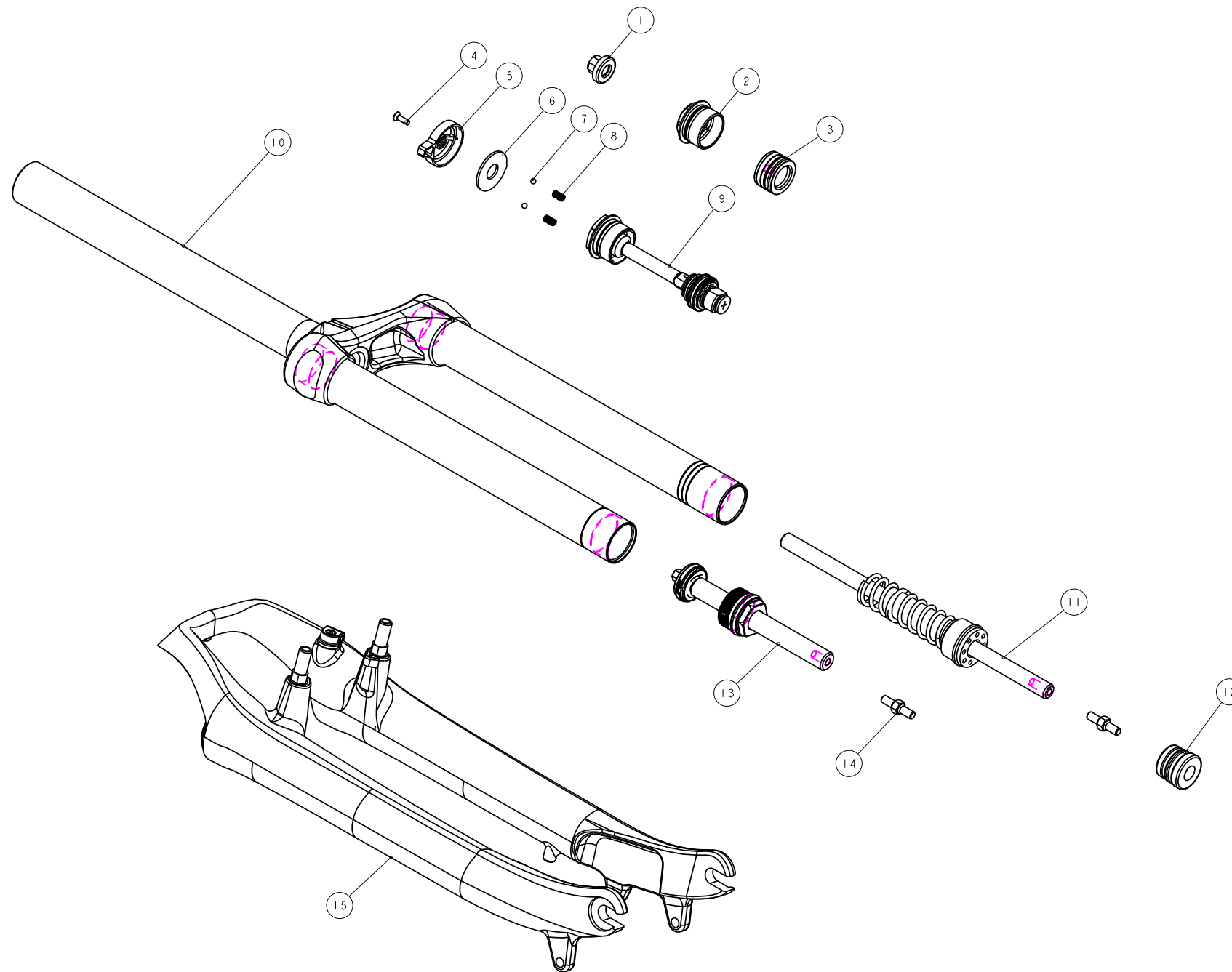


機械加工尺寸一般容許公差					REV.	DATE	DESCRIPTION	CHANGER	CHECK
尺寸	長寬高	尺寸	孔徑	軸徑					
1 <= 10	±0.2	1 <= 10	+0.2 0	+0 -0.2					
10.001 <= 100	±0.3	10.001 <= 100	+0.3 0	+0 -0.3					
100.001 <= 250	±0.5	100.001 <= 250	+0.5 0	+0 -0.5					
250.001 <= 500	±0.8	250.001 <= 500	+1.0 0	+0 -1.0					
500 <	±1.3	500 <	+1.5 0	+0 -1.5					



1	M5GAE9DA183	Air Cap	1
2	H5GAEBMA250-1	Fix Guide	1
3	H5GDPBBD24	Air Piston	1
4	M5R22-2Y11-100	Compression Knob Screw	1
5	M5GAEBTN38	Compression Knob	1
6	M5GAE9CS27-1	Dial	1
7	M5K43-2730-000	Detent Ball	2
8	M5K43-2351-000	Detent Spring	2
9	H5GDPBAK20B-1	Lockout Assembly	1
10	H5GCRC022GC1	Crown Assembly	1
11-1	H5GAEBJA223	Lower Spring Seat Assembly (For 60mm Travel)	1
11-2	H5GAEBJA213	Lower Spring Seat Assembly ((For 50mm Travel)	1
12	M5GSPB-401-5	Bumper	1
13	H5GDPBBA137	Rebound Assembly	1
14	M5FUE-2Y14-005	Connecting Bolt	2
15	H5GFRR11-0000	Outer Leg Assembly (W Pivot Boss)	1
NO.	PART NO.	ENGLISH NAME	QTY
MATERIAL	Assembly	QTY	1
UNIT	MM	SCALE	0.600
FASHING	TREAT	DRAW NO	PGC022FC- rev. A
DESIGN	DRAWING	CHECK	CONFIG
			APPE
			NAME
			PARTSLIST
			RST