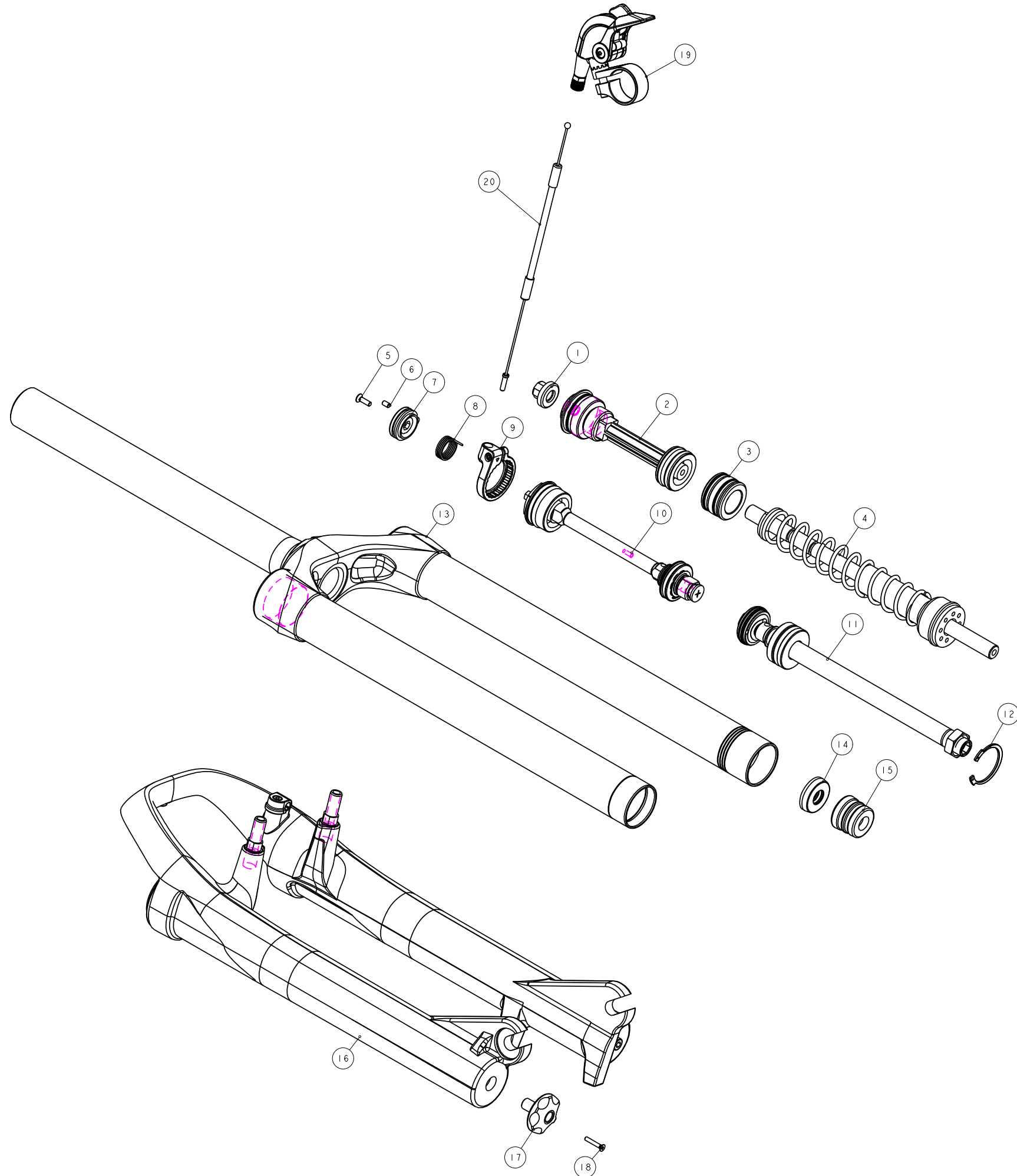


機械加工尺寸一般公差					REV.	DATE	DESCRIPTION	CHANGER	CHECK
尺寸	長寬高	尺寸	孔徑	軸徑					
1 <= 10	±0.2	1 <= 10	+0.2 0	+0.2 -0.2					
10.001 <= 100	±0.3	10.001 <= 100	+0.3 0	+0.3 -0.3					
100.001 <= 250	±0.5	100.001 <= 250	+0.5 0	+0.5 -0.5					
250.001 <= 500	±0.8	250.001 <= 500	+1.0 0	+1.0 -1.0					
500 <	±1.3	500 <	+1.5 0	+1.5 -1.5					



1	M5GAE9DA183	Air Cap	1
2	H5GDP0CR80	Fix Guide	1
3	H5GAE0LP32	Air Piston	1
4-1	H5GAECJA218-1	Lower Spring Seat Assembly (For 80mm Travel)	1
4-2	H5GAECJA218-2	Lower Spring Seat Assembly (For 100mm Travel)	1
4-3	H5GAECJA218-3	Lower Spring Seat Assembly (For 120mm Travel)	1
5	M5R22-2Y11-100	Rotor Spring	1
6	M5GDP7ARL-013	Grub Screw	1
7	M5GDPAK03	Cable Rotor	1
8	M5GDP7ARL-020	Rotor Spring	2
9	H5GDP8ARL6	RL Base	2
10	H5GDP0AK30B	Lockout Assembly	1
11	H5GDP9AD300-3	Rebound Assembly	1
12	3052D-30000	C-Clip	1
13	H5GCRC013PG1	Crown Assembly	1
14	M5GSPB-5006-2	Bumper	1
15	M5GSPB-401-5	Bumper	1
16-1	H5GFRKCI-1100	Outer Leg Assembly (W/O Pivot Boss)	1
16-2	H5GFRKCI-0100	Outer Leg Assembly (W/ Pivot Boss)	1
17	M5GAEBAZ200	Rebound Konb	1
18	1022A-02515	Rebound Konb Screw	1
19	H5GDPBARL2	RL Shifter	1
20	H5GDP7ARL3-1	Cable Set	1
NO.	PART NO.	ENGLISH NAME	QTY

MATERIAL	Assembly	Q'TY	1	MODEL	12' FIRST 32 AIR SRL
UNIT	MM	SCALE	0.700	DRAW NO	PGC013GG rev. A
FASHING		TREAT		NAME	PARTSLIST
DESIGN	DRAWING	CHECK	CONFIG	APPE	
					RST