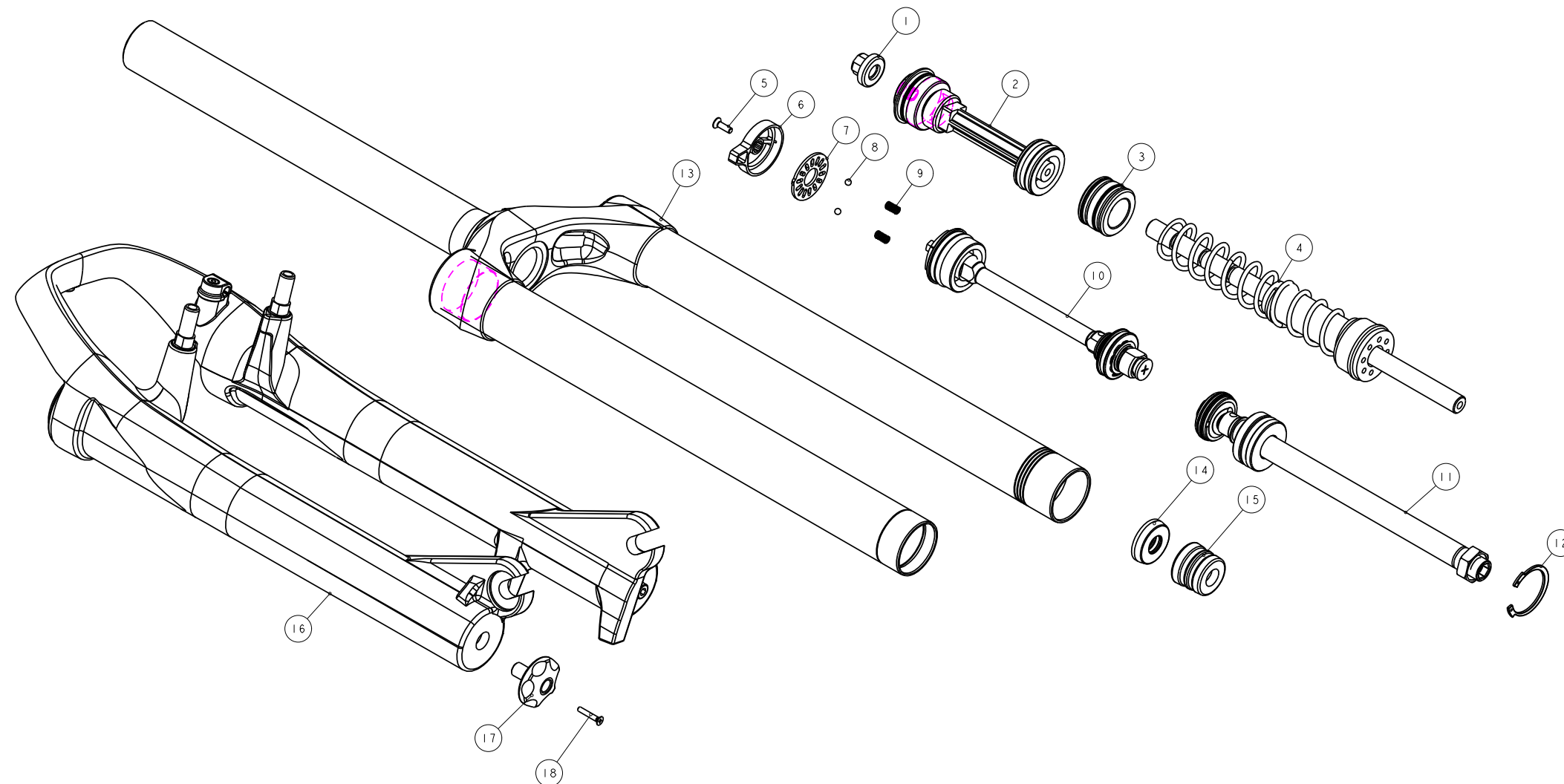


機械加工尺寸一般容許公差					REV.	DATE	DESCRIPTION	CHANGER	CHECK
尺寸	長寬高	尺寸	孔徑	軸徑					
1 <= 10	±0.2	1 <= 10	+0.2 0	+0.2 0					
10.001 <= 100	±0.3	10.001 <= 100	+0.3 0	+0.3 0					
100.001 <= 250	±0.5	100.001 <= 250	+0.5 0	+0.5 0					
250.001 <= 500	±0.8	250.001 <= 500	+1.0 0	+1.0 0					
500 <	±1.3	500 <	+1.5 0	+1.5 0					



1	M5GAE9DA183	Air Cap	1
2	H5GDP0CR80	Fix Guide	1
3	H5GAE0LP32	Air Piston	1
4-1	H5GAECJA218-1	Lower Spring Seat Assembly (For 80mm Travel)	1
4-2	H5GAECJA218-2	Lower Spring Seat Assembly (For 100mm Travel)	1
4-3	H5GAECJA218-3	Lower Spring Seat Assembly (For 120mm Travel)	1
5	M5R22-2Y11-100	Compression Konb Screw	1
6	M5GAEBTN38	Compression Konb	1
7	M5GAE9CS27-1	Dial	1
8	M5K43-2730-000	Detent Ball	2
9	M5K43-2351-000	Detent Spring	2
10	H5GDP0AK30B	Lockout Assembly	1
11	H5GDP9AD300-3	Rebound Assembly	1
12	3052D-30000	C-Clip	1
13	H5GCRC013PG1	Crown Assembly	1
14	M5GSPB-5006-2	Bumper	1
15	M5GSPB-401-5	Bumper	1
16-1	H5GFRKC1-1100	Outer Leg Assembly (W/O Pivot Boss)	1
16-2	H5GFRKC1-0100	Outer Leg Assembly (W/ Pivot Boss)	1
17	M5GAEBAZ200	Rebound Konb	1
18	1022A-02515	Rebound Konb Screw	1
NO.	PART NO.	ENGLISH NAME	QTY

MATERIAL	Assembly	Q'TY	1	MODEL	I2' FIRST 32 AIR SRL(80/100120)
UNIT	MM	SCALE	0.700	DRAW NO	PGC013FG rev. A
FASHING		TREAT		DESIGN	
DRAWING	CHECK	CONFIG	APPE	NAME	PARTSLIST
					RST