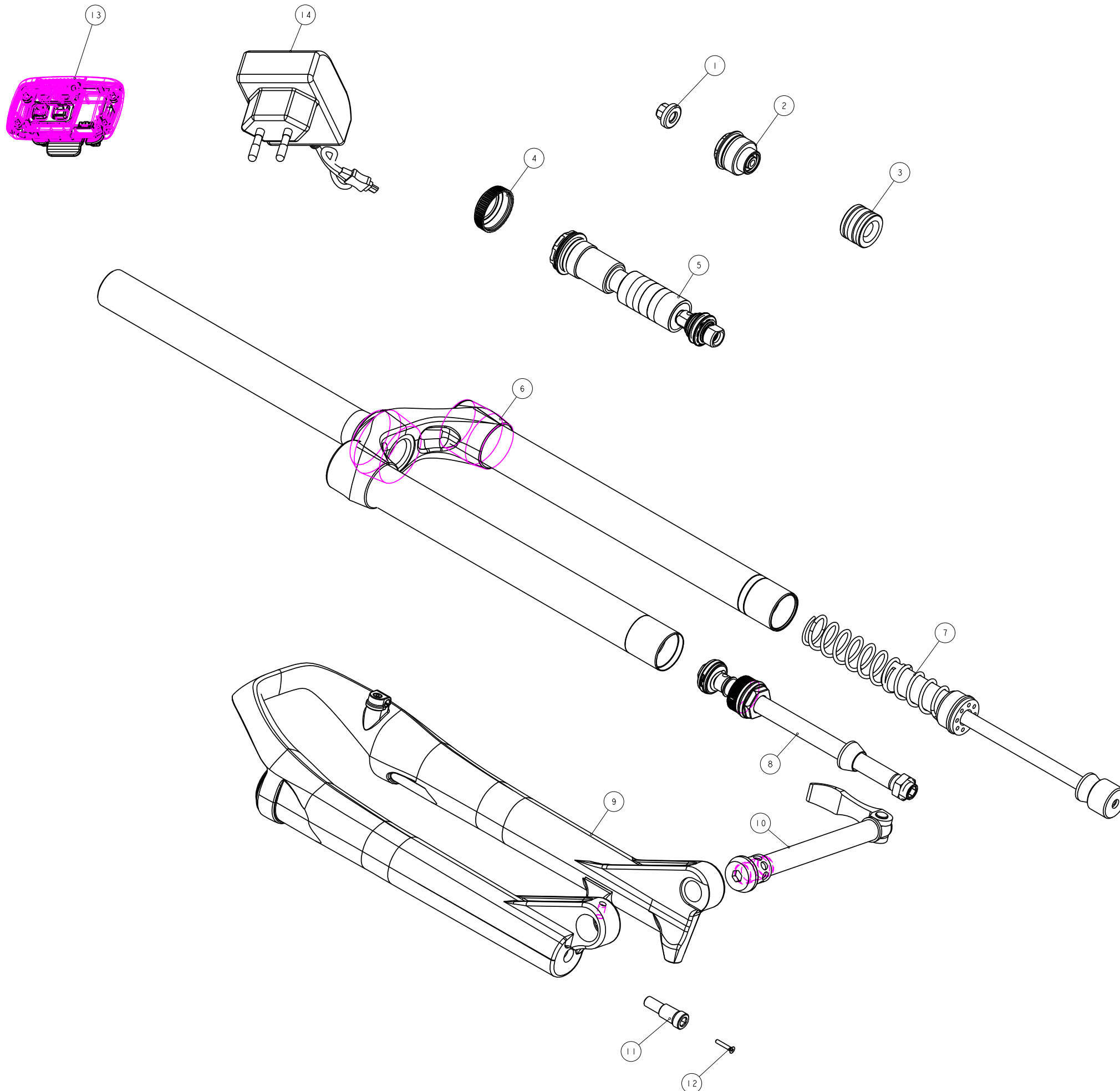


機械加工尺寸一般容許公差					REV.	DATE	DESCRIPTION	CHANGER	CHECK
尺寸	長寬高	尺寸	孔徑	軸徑					
1 <= 10	±0.2	1 <= 10	+0.2 0	+0 -0.2					
10.001 <= 100	±0.3	10.001 <= 100	+0.3 0	+0 -0.3					
100.001 <= 250	±0.5	100.001 <= 250	+0.5 0	+0 -0.5					
250.001 <= 500	±0.8	250.001 <= 500	+1.0 0	+0 -1.0					
500 <	±1.3	500 <	+1.5 0	+0 -1.5					



1	M5GAE9DA183	Air Cap	1
2	H5GAECMA-265-1	Fix Guide	1
3	H5GDPBD26	Air Piston	1
4	M5GELB1110-1	Cap	1
5	H5GELB-002	Lockout Assembly	1
6	H5GCRC017WG1	Crown Assembly	1
7	H5GAECJA215	Lower Spring Seat Assembly (For 120mm Travel)	1
8	H5GDPOAD265-3	Rebound Assembly	1
9	H5GFRU15-1100	Outer Leg Assembly (W/ Pivot Boss)	1
10	H5GAC00211-1	15mm Aluminum Quick Release Axle	1
11	M5GAE9AZ034	Rebound Knob	1
12	1022A-02515	Rebound Knob Screw	1
13	H5GELB-001	ERL Controller	1
14	M5GELB1119-3	Charger	1
NO.	PART NO.	ENGLISH NAME	QTY
MATERIAL	Assembly	Q'TY	1
UNIT	MM	SCALE	0.700
FASHING	TREAT	DRAW NO	PGC017WG- rev. A
DESIGN	DRAWING	CHECK	CONFIG
			APPE
			NAME
			PARTSLIST
			RST