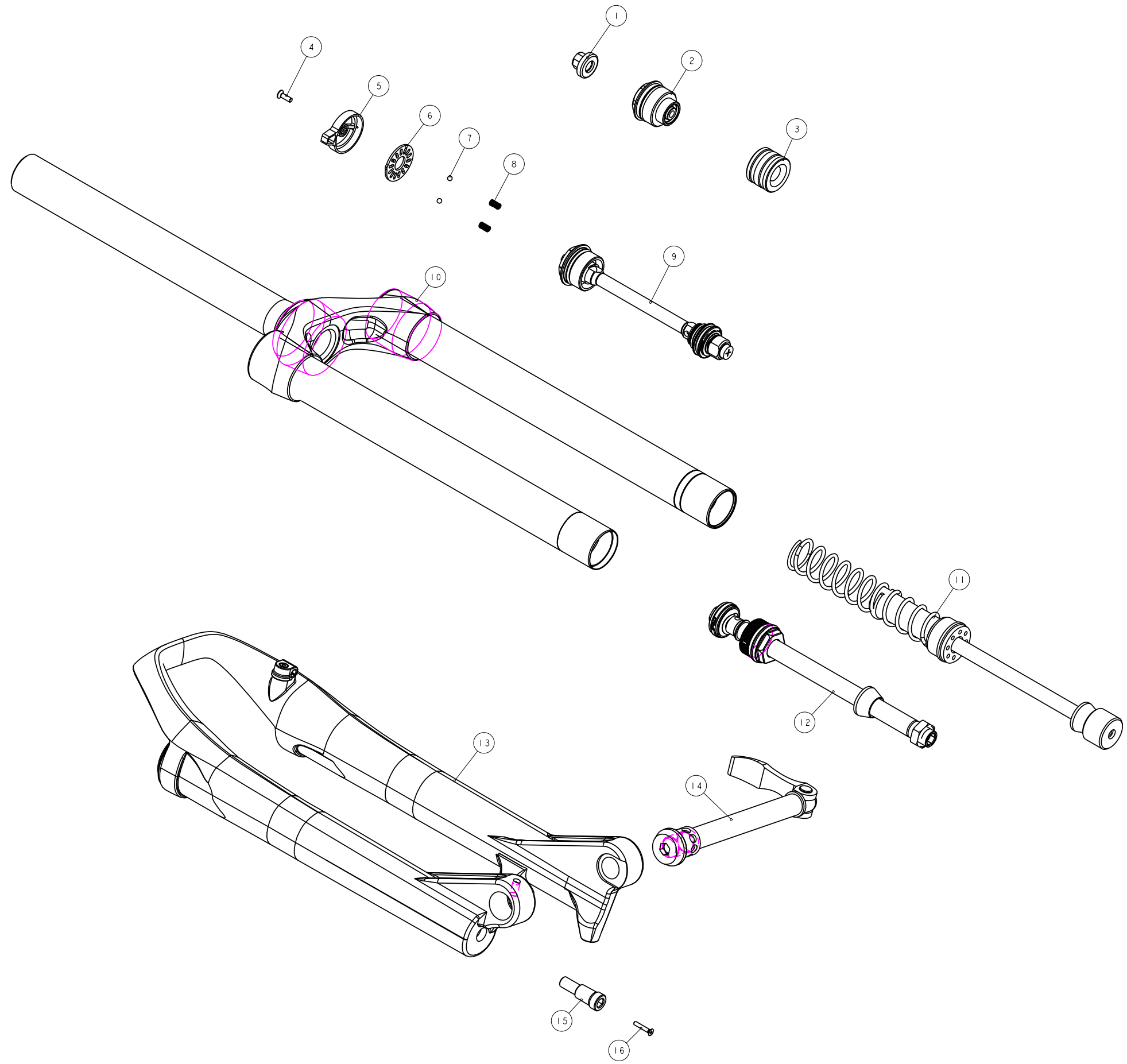


機械加工尺寸一般公差					REV.	DATE	DESCRIPTION	CHANGER	CHECK
尺寸	公差	尺寸	公差	公差					
1 <= 10	±0.2	1 <= 10	±0.2	±0.2					
10.001 <= 100	±0.3	10.001 <= 100	±0.3	±0.3					
100.001 <= 250	±0.5	100.001 <= 250	±0.5	±0.5					
250.001 <= 500	±0.8	250.001 <= 500	±1.0	±1.0					
500 <	±1.3	500 <	±1.5	±1.5					



1	M5GAE9DA183	Air Cap	1
2	H5GAECMA-265-1	Fix Guide	1
3	H5GDPBD26	Air Piston	1
4	M5R22-2Y11-100	Compression Konb Screw	1
5	M5GAEBTN38	Compression Knob	1
6	M5GAE9CS27-1	Dial	1
7	M5K43-2730-000	Detent Ball	2
8	M5K43-2351-000	Detent Spring	2
9	H5GDP7AK30B-1	Lockout Assembly	1
10	H5GCRC017WG1	Crown Assembly	1
11	H5GAECJA215	Lower Spring Seat Assembly (For 120mm Travel)	1
12	H5GDP0AD265-3	Rebound Assembly	1
13	H5GFRU15-1100	Outer Leg Assembly (W/O Pivot Boss)	1
14	H5GAC00211-1	15mm Aluminum Quick Release Axle	1
15	M5GAE9AZ034	Rebound Konb	1
16	1022A-02515	Rebound Knob Screw	1
NO.	PART NO.	ENGLISH NAME	QTY
MATERIAL	Assembly	Q'TY	1
UNIT	MM	SCALE	0.700
FASHING		TREAT	
DESIGN	DRAWING	CHECK	CONFIG
			APPE
		MODEL	12' FIRST 30-15 AIR(120)
		DRAW NO	PGC017FG- rev. A
		NAME	PARTSLIST
RST			