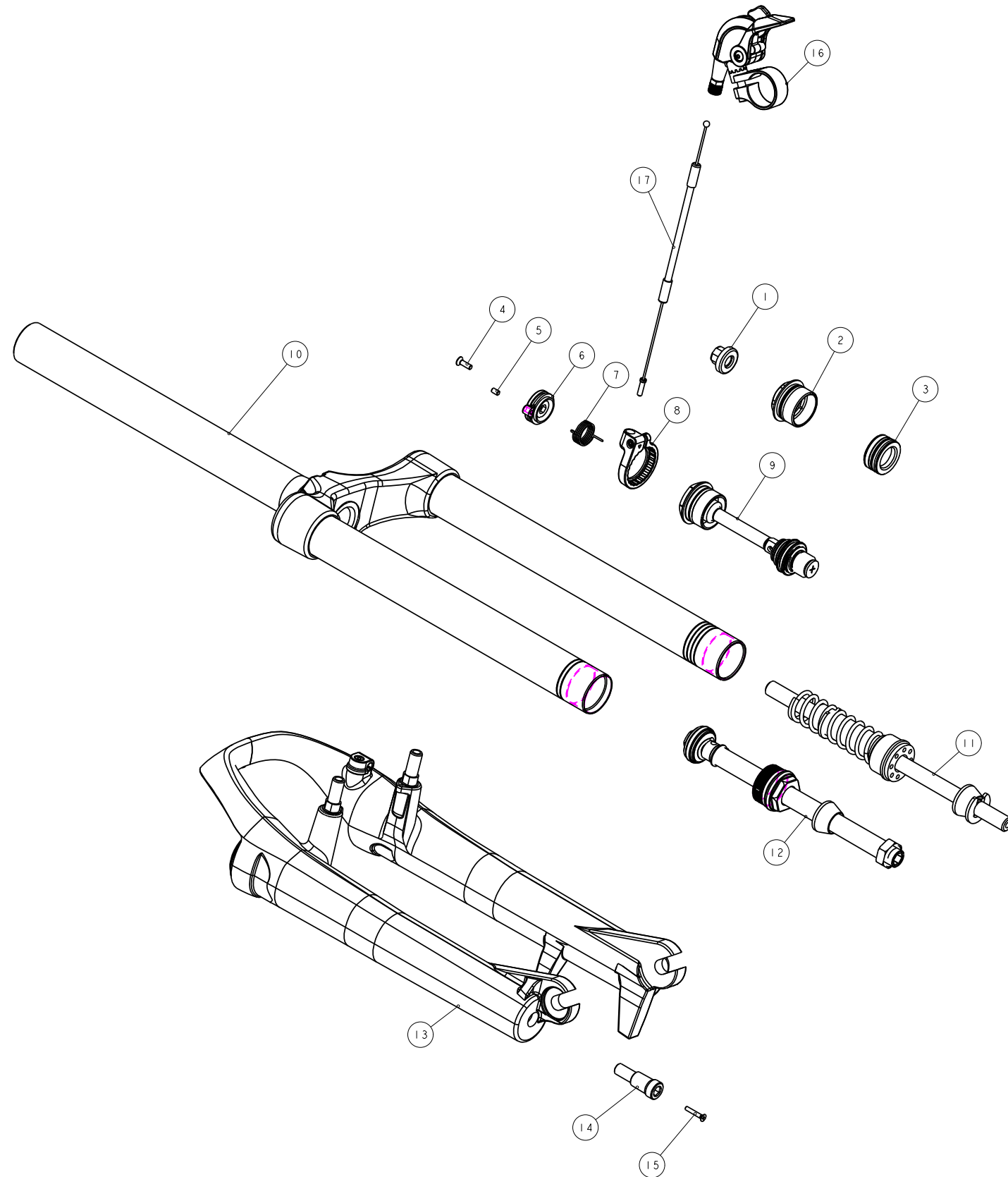


機械加工尺寸一般容許公差					REV.	DATE	DESCRIPTION	CHANGER	CHECK
尺寸	長寬高	尺寸	孔徑	軸徑					
1 <= 10	±0.2	1 <= 10	+0.2 0	+0 -0.2					
10.001 <= 100	±0.3	10.001 <= 100	+0.3 0	+0 -0.3					
100.001 <= 250	±0.5	100.001 <= 250	+0.5 0	+0 -0.5					
250.001 <= 500	±0.8	250.001 <= 500	+1.0 0	+0 -1.0					
500 <	±1.3	500 <	+1.5 0	+0 -1.5					



1	M5GAE9DA183	Air Cap	1
2	H5GAEBMA250-1	Fix Guide	1
3	H5GDPBAD24-1	Air Piston	1
4	M5R22-2Y11-100	Rotor Screw	1
5	M5GDP7ARL-013	Grub Screw	1
6	M5GDKPAK03	Cable Rotor	1
7	M5GDP7ARL-020	Rotor Spring	1
8	H5GDP8ARL6	RL Base	1
9	H5GDPBAK20B-1	Lockout Assembly	1
10	H5GCRC018GC1	Crown Assembly	1
11	H5GAEBJA207	Lower Spring Seat Assembly (For 60mm Travel)	1
12	H5GDPBAD265-3	Rebound Assembly	1
13	H5GFRUI4-0100	Outer Legs Assembly (W/ Pivot Boss)	1
14	M5GAE9AZ034	Rebound Knob	1
15	1022A-02515	Rebound Knob Screw	1
16	H5GDPBARL2	RL Shifter	1
17	H5GDP7ARL3-1	Cable Set	1
NO.	PART NO.	ENGLISH NAME	QTY
MATERIAL	Assembly	Q'TY	1
UNIT	MM	SCALE	0.600
FASHING	TREAT	DRAW NO	PGC018GC- rev. A
DESIGN	DRAWING	CHECK	CONFIG
			APPE
			NAME
			PARTSLIST
			RST