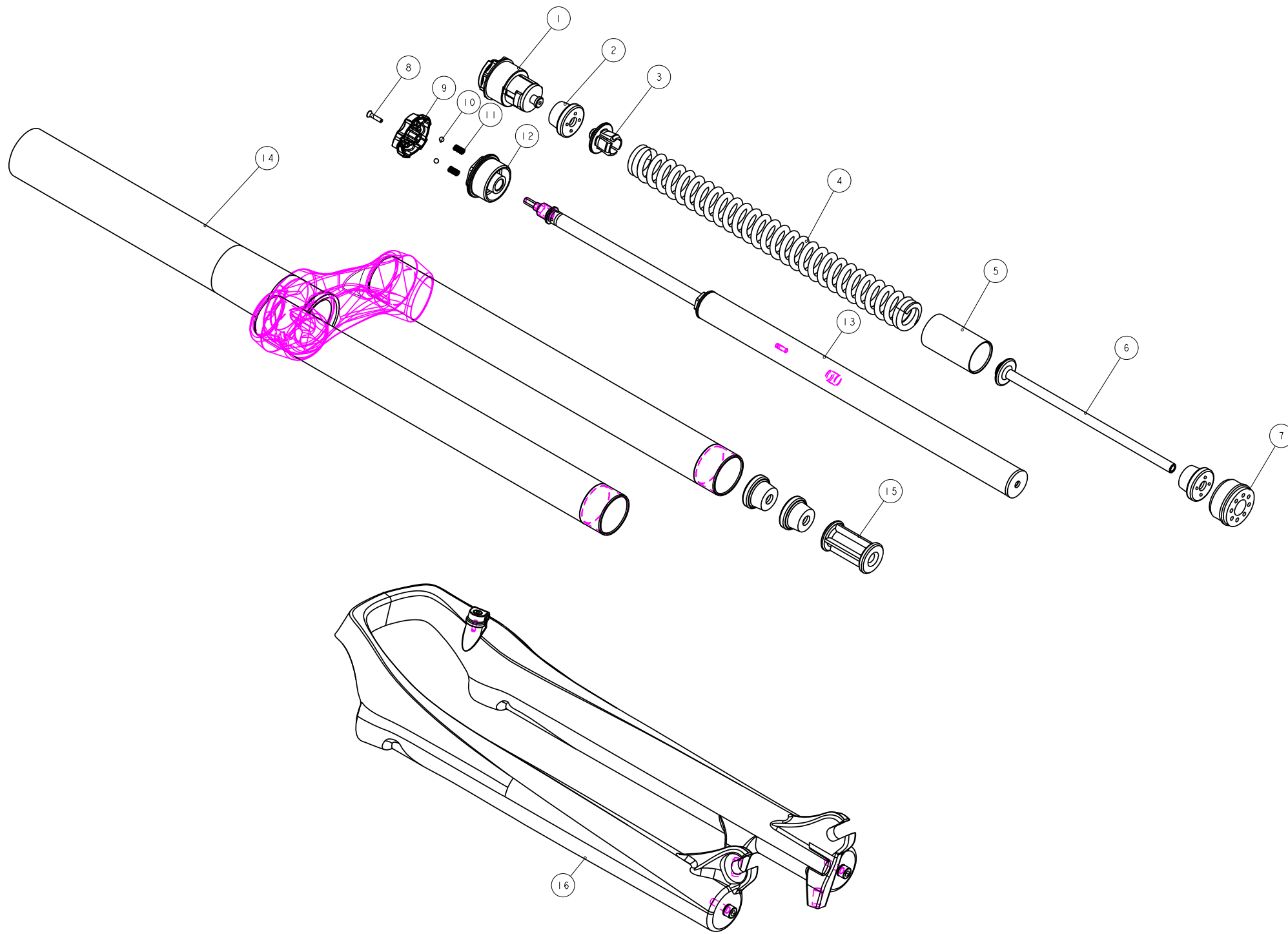


機械加工尺寸一般公差					REV.	DATE	DESCRIPTION	CHANGER	CHECK
尺寸	公差	尺寸	公差	公差					
1 <= 10	±0.2	1 <= 10	±0.2	+0.2 -0.2					
10.001 <= 100	±0.3	10.001 <= 100	±0.3	+0.3 -0.3					
100.001 <= 250	±0.5	100.001 <= 250	±0.5	+0.5 -0.5					
250.001 <= 500	±0.8	250.001 <= 500	±1.0	+1.0 -1.0					
500 <	±1.3	500 <	±1.5	+1.5 -1.5					



1	H5GAE0A29	Preload Adjuster Assembly	1
2	M5GSPB-415-8	Bumper	4
3	M5R22-2161-000	Spring Seat	1
4	M5GSPB3260-110	Spring	1
5	M5FUA-2310-000	Spring Sheath	1
6	M5GAEJC160	Lower Spring Seat (for 80mm travel)	1
7	M5GAEEB-300	Cap	1
8	1022A-02512C-B	Compression Knob Screw	1
9	M5GAE8TZ-2	Compression Knob	1
10	M5K43-2730-000	Detent Ball	2
11	M5K43-2351-000	Detent Spring	2
12	M5GAE0DA29	Fix Guide	1
13	H5GDP6AK14	Rebound Cartridge for 80mm	1
14	H5GCRC708BE1	Crown Assembly	1
15	M5GAEMB40	Spacer	1
16	H5GFRJC3-1000	Outer Legs Assembly (W/O Pivot Boss)	1

NO.	PART NO.	ENGLISH NAME	QTY
MATERIAL	Assembly	QTY	1
UNIT	MM	SCALE	0.600
FASHING	TREAT	DRAW NO	PGC708BE rev. A
DESIGN	DRAWING	CHECK	CONFIG
			APPE
			NAME
			PARTSLIST
			RST