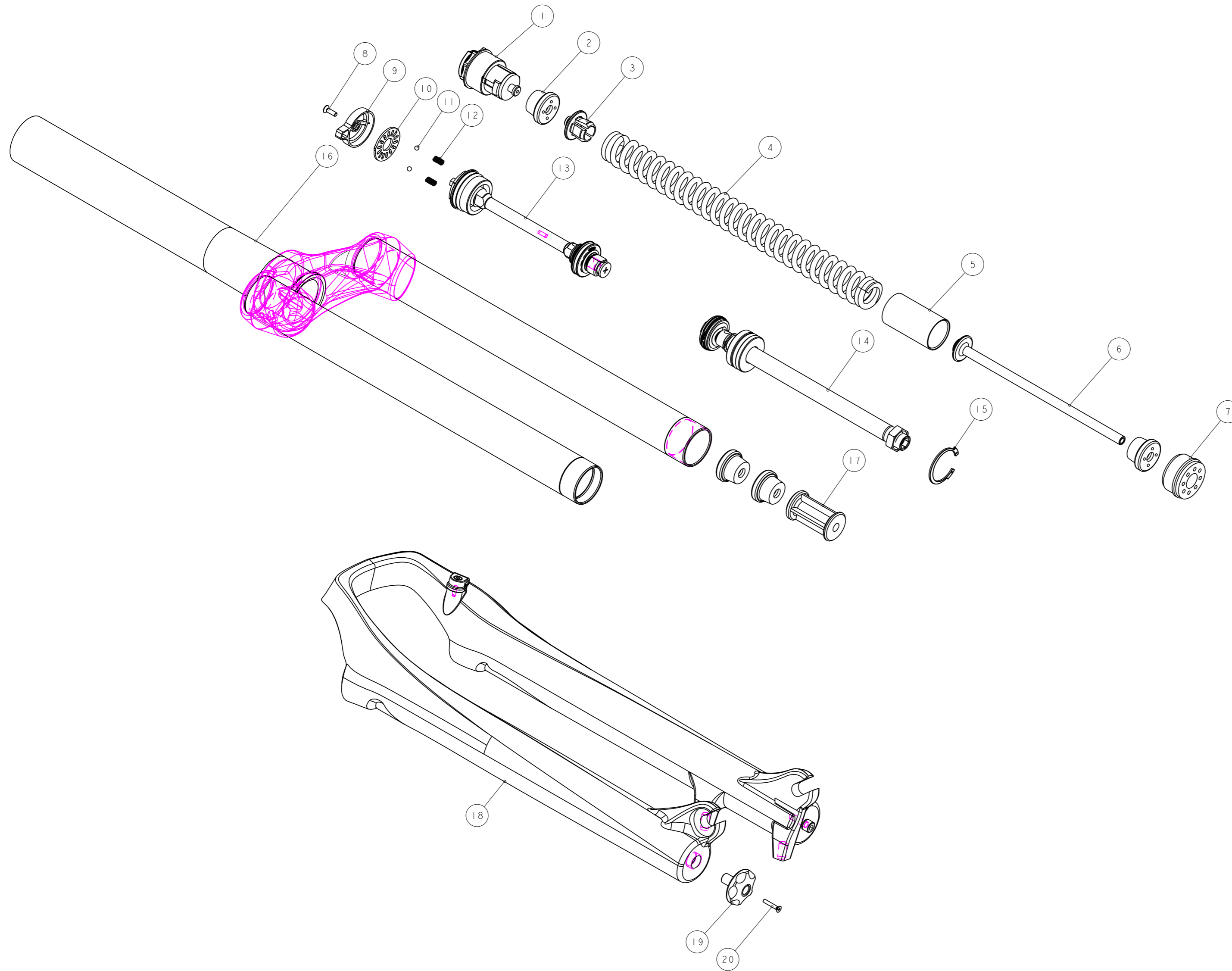


機械加工尺寸一般許公差					REV.	DATE	DESCRIPTION	CHANGER	CHECK
尺寸	長寬高	尺寸	孔径	軸徑					
1 <= 10	±0.2	1 <= 10	+0.2 -0	+0 -0.2					
10.001 <= 100	±0.3	10.001 <= 100	+0.3 -0	+0 -0.3					
100.001 <= 250	±0.5	100.001 <= 250	+0.5 -0	+0 -0.5					
250.001 <= 500	±0.8	250.001 <= 500	+1.0 -0	+0 -1.0					
500 <	±1.3	500 <	+1.5 -0	+0 -1.5					



1	H5GAE0A29	Preload Adjuster Assembly	1
2	M5GSPB-415-8	Bumper	4
3	M5R22-2161-000	Spring Seat	1
4	M5GSPB3260-110	Spring	1
5	M5FUA-2310-000	Spring Sheath	1
6	M5GAEJCI60	Lower Spring Seat (for 100mm travel)	1
7	M5GAEEB-300	Cap	1
8	M5R22-2Y11-100	Compression Knob Screw	1
9	M5GAEBTN38	Compression Knob	1
10	M5GAE9CS27-1	Dial	1
11	M5K43-2730-000	Detent Ball	2
12	M5K43-2351-000	Detent Spring	2
13	H5GDP0AK30B	Lockout Assembly	1
14	H5GDP9AD300-3	Rebound Assembly	1
15	3052D-30000	C-Clip	1
16	H5GCRCT081E1	Crown Assembly	1
17	M5GAEMB40	Spacer	1
18	H5GFRJC3-1100	Outer Legs Assembly (W/O Pivot Boss)	1
19	M5GAEBAZ200	Rebound Knob	1
20	1022A-02515	Rebound Knob Screw	1
NO.	PART NO.	ENGLISH NAME	QTY

MATERIAL	Assembly	Q'TY	1	MODEL	12' DEUCE 29 COIL		
UNIT	MM	SCALE	0.600	DRAW NO	PGC7081E	rev.	A
FASHING		TREAT		DESIGN	PARTSLIST		
DESIGN	DRAWING	CHECK	CONFIG	APPE	RST		