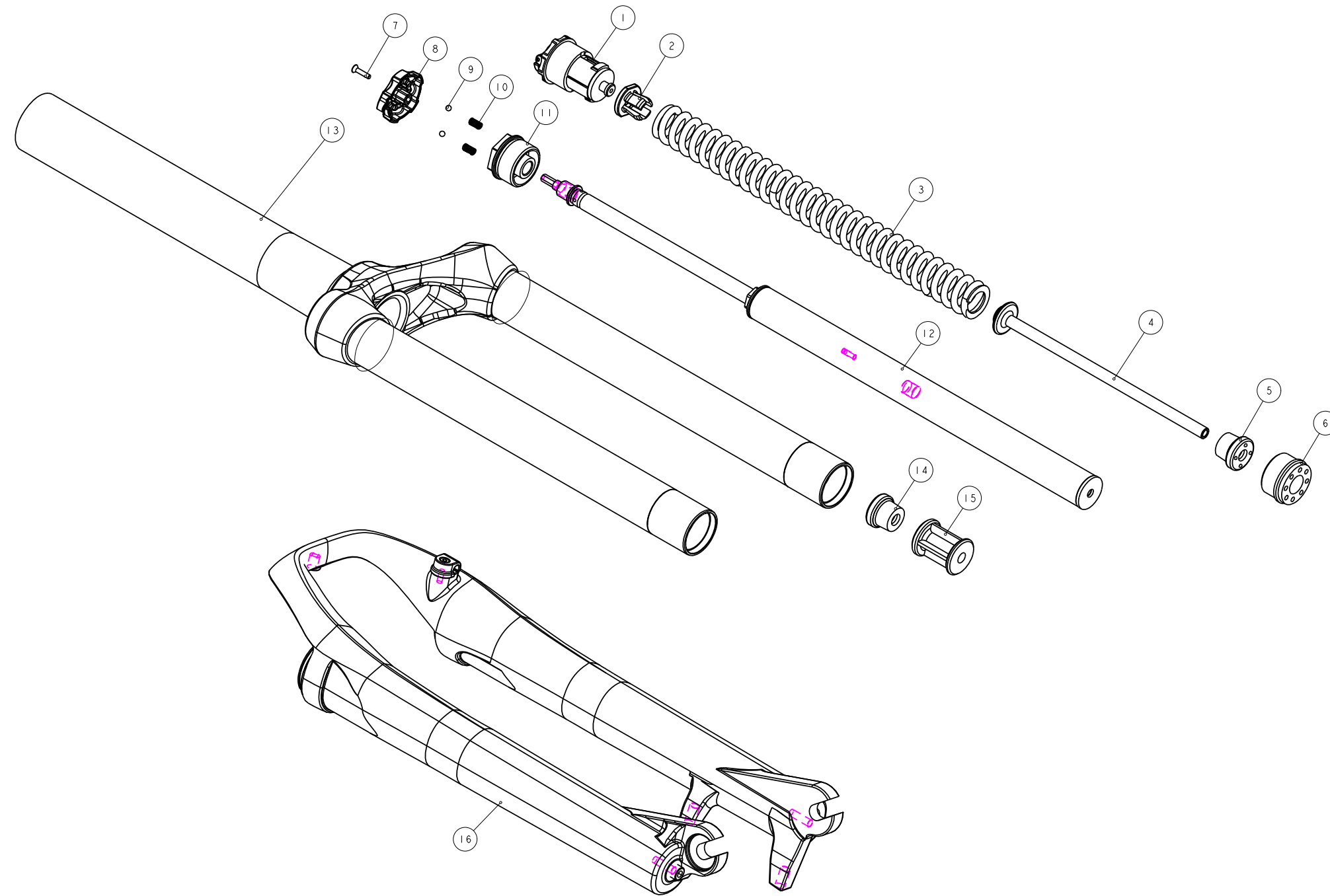


機械加工尺寸一般公差					REV.	DATE	DESCRIPTION	CHANGER	CHECK
尺寸	長寬高	尺寸	孔徑	軸徑					
1 <= 10	±0.2	1 <= 10	+0.2 -0	+0.2 -0.2					
10.001 <= 100	±0.3	10.001 <= 100	+0.3 -0	+0.3 -0.3					
100.001 <= 250	±0.5	100.001 <= 250	+0.5 -0	+0.5 -0.5					
250.001 <= 500	±0.8	250.001 <= 500	+1.0 -0	+1.0 -1.0					
500 <	±1.3	500 <	+1.5 -0	+1.5 -1.5					



1	H5GAE9A285	Preload Adjuster Assembly	1
2	M5GAE-0PB021	Spring Seat	1
3	M5X51-235G-000	Spring	1
4	M5GAEJC160	Lower Spring Seat (for 100mm travel)	1
5	M5GSPB-415	Bumper	2
6	M5GAEEB-265-1	Cap	1
7	1022A-02512C-B	Compression Knob Screw	1
8	M5GAE8TZ-2	Compression Knob	1
9	M5K43-2730-000	Detent Ball	2
10	M5K43-2351-000	Detent Spring	2
11	M5GAE0DA265	Fix Guide	1
12	H5GDP6AK10	Rebound Cartridge for 100mm	1
13	H5GCRC706BF1	Crown Assembly	1
14	M5GAEMB30	Spacer	1
15	H5GFRC11-1000	Outer Legs Assembly (W/O Pivot Boss)	1

NO.	PART NO.	ENGLISH NAME	QTY
MATERIAL	Assembly	QTY	1
UNIT	MM	SCALE	0.700
FASHING	TREAT	DRAW NO	PGC706BF rev. A
DESIGN	DRAWING	CHECK	CONFIG
			APPE
			NAME
			PARTSLIST
			RST