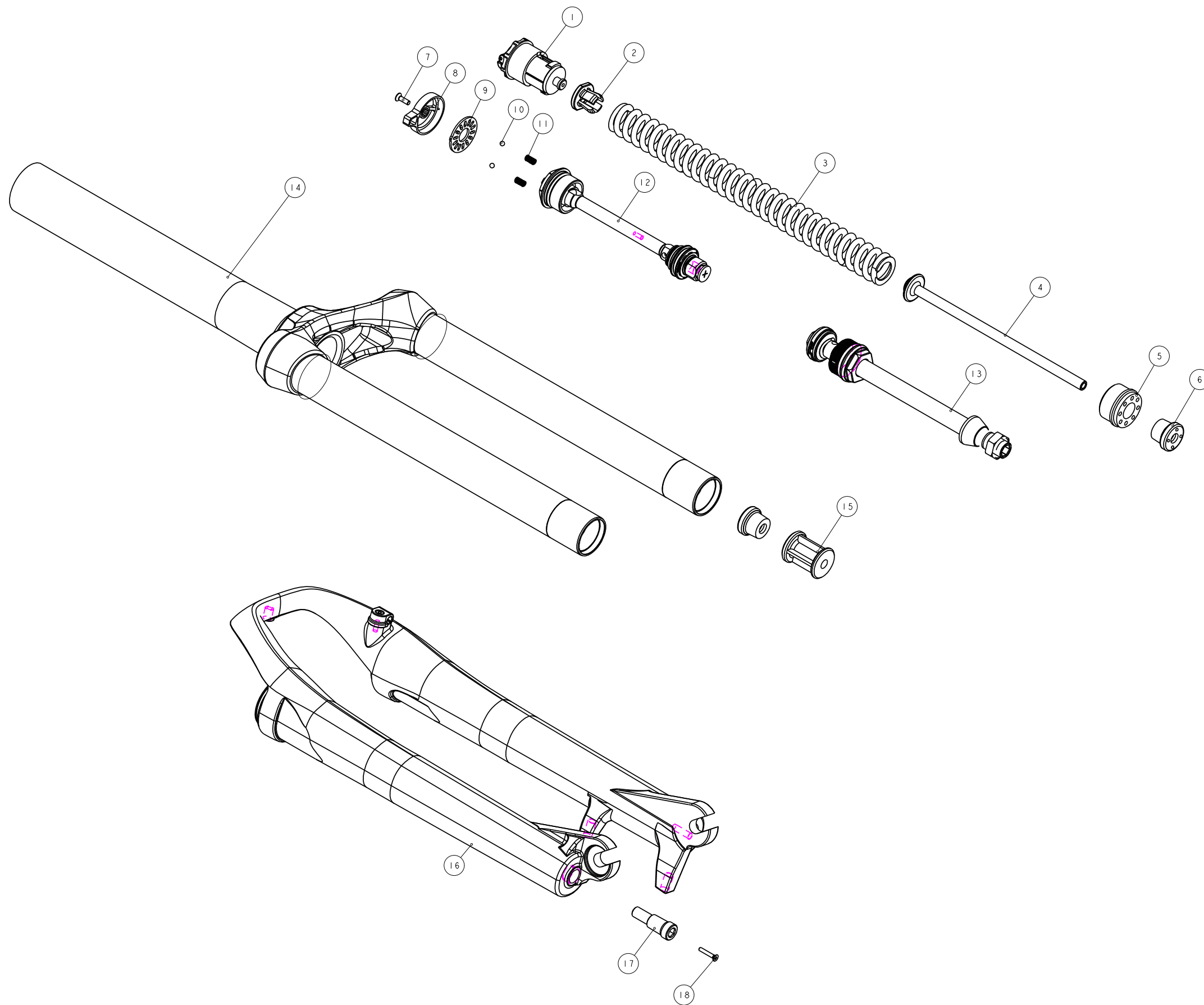


機械加工尺寸一般容許公差					REV.	DATE	DESCRIPTION	CHANGER	CHECK
尺寸	長寬高	尺寸	孔徑	軸徑					
1 <= 10	±0.2	1 <= 10	+0.2 -0	+0.2 -0.2					
10.001 <= 100	±0.3	10.001 <= 100	+0.3 -0	+0.3 -0.3					
100.001 <= 250	±0.5	100.001 <= 250	+0.5 -0	+0.5 -0.5					
250.001 <= 500	±0.8	250.001 <= 500	+1.0 -0	+1.0 -1.0					
500 <	±1.3	500 <	+1.5 -0	+1.5 -1.5					



1	H5GAE9A285	Preload Adjuster Assembly	1
2	M5GAE-0PB021	Spring Seat	1
3	M5X51-235G-000	Spring	1
4	M5GAEJC160	Lower Spring Seat (for 100mm travel)	1
5	M5GAEEB-265-1	Cap	1
6	M5GSPB-415	Bumper	2
7	M5R22-2Y11-100	Compression Knob Screw	1
8	M5GAEBTN38	Compression Knob	1
9	M5GAE9CS27-1	Dial	1
10	M5K43-2730-000	Detent Ball	2
11	M5K43-2351-000	Detent Spring	2
12	H5GDP7AK30B-1	Lockout Assembly	1
13	H5GDP9AD265-3	Rebound Assembly	1
14	H5GCRC7061F1	Crown Assembly	1
15	M5GAEMB30	Spacer	1
16	H5GFRC11-1100	Outer Legs Assembly (W/O Pivot Boss)	1
17	M5GAE9AZ034	Rebound Knob	1
18	1022A-02515	Rebound Knob Screw	1
NO.	PART NO.	ENGLISH NAME	QTY

MATERIAL	Assembly	Q'TY	1	MODEL	12' DEUCE 100 Coil
UNIT	MM	SCALE	0.700	DRAW NO	PGC7061F rev. A
FASHING		TREAT		NAME	PARTSLIST
DESIGN	DRAWING	CHECK	CONFIG	APPE	RST