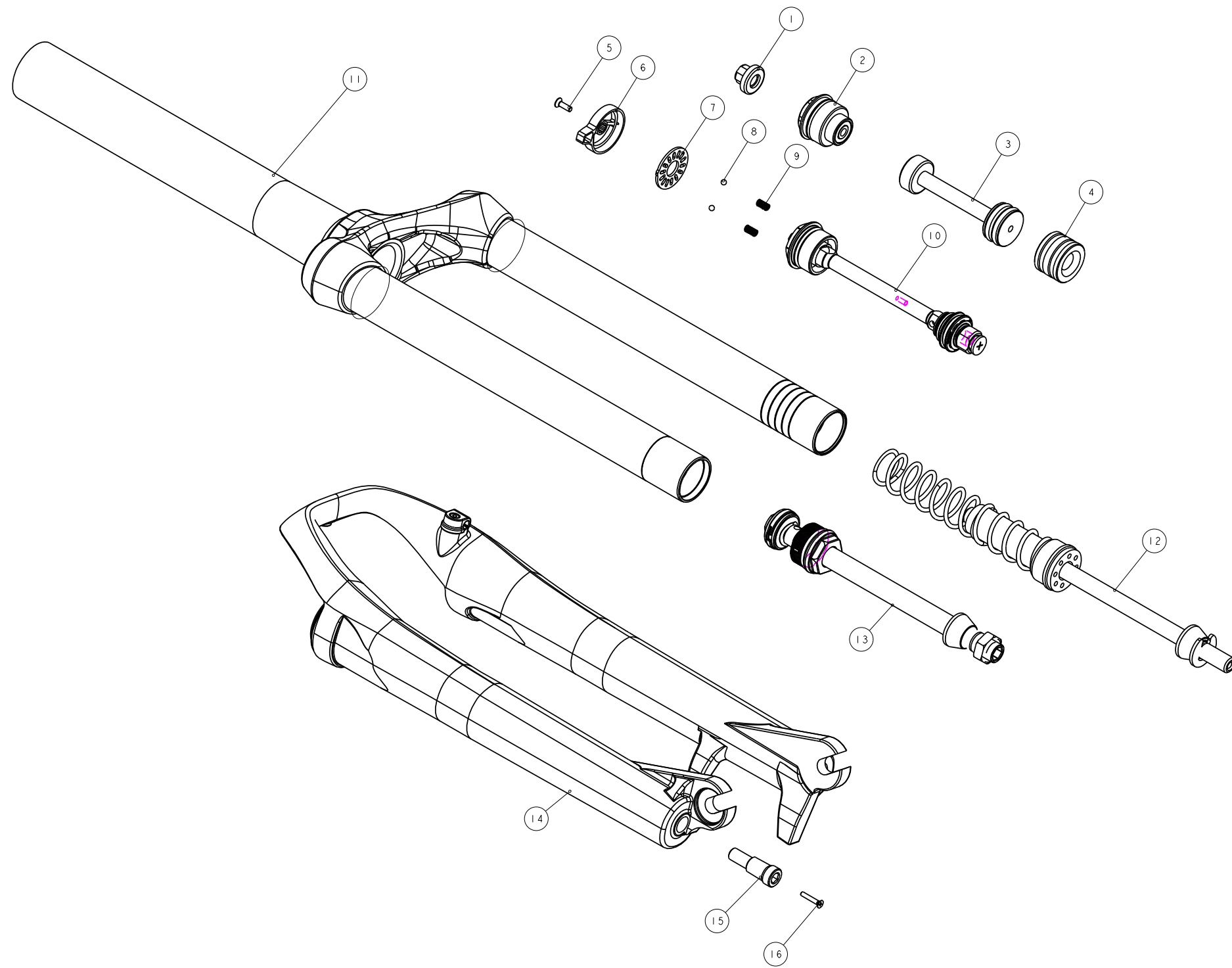


機械加工尺寸一般容許公差					REV.	DATE	DESCRIPTION	CHANGER	CHECK
尺寸	長度	尺寸	孔徑	軸徑					
1 <= 10	±0.2	1 <= 10	+0.2 0	+0.2 -0.2					
10.001 <= 100	±0.3	10.001 <= 100	+0.3 0	+0.3 -0.3					
100.001 <= 250	±0.5	100.001 <= 250	+0.5 0	+0.5 -0.5					
250.001 <= 500	±0.8	250.001 <= 500	+1.0 0	+1.0 -1.0					
500 <	±1.3	500 <	+1.5 0	+1.5 -1.5					



1	M5GAE9DA183	Air Cap	1
2	H5GAE0MA-265-1	Fix Guide	1
3	H5GAEFB2426-1	Air Guide	1
4	H5GDPBD26	Air Piston	1
5	M5R22-2Y11-100	Compression Konb Screw	1
6	M5GAEBTN38	Compression Knob	1
7	M5GAE9CS27-1	Dial	1
8	M5K43-2730-000	Detent Ball	2
9	M5K43-2351-000	Detent Spring	2
10	H5GDP7AK30B-1	Lockout Assembly	1
11	H5GCRC706FF1	Crown Assembly	1
12	H5GAEBJA210	Lower Spring Seal Assembly (for 100mm Travel)	1
13	H5GDP9AD265-3	Rebound Assembly	1
14	H5GFRU11-1100	Outer Leg Assembly (W/O Pivot Boss)	1
15	M5GAE9AZ034	Rebound Konb	1
16	1022A-02515	Rebound Knob Screw	1
NO.	PART NO.	ENGLISH NAME	QTY

MATERIAL	Assembly	Q'TY	1	MODEL	12' Deuce 100 Air	
UNIT	MM	SCALE	0.700	DRAW NO	PGC706FF	rev. A
FASHING		TREAT		DESIGN	PARTSLIST	
DESIGN	DRAWING	CHECK	CONFIG	APPE	RST	